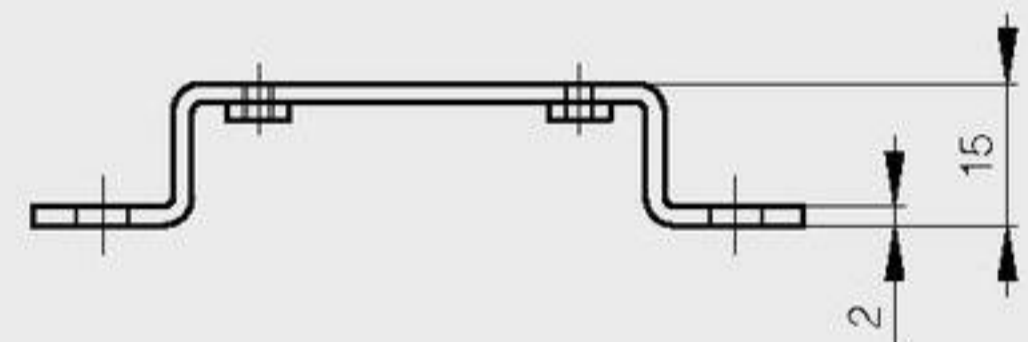
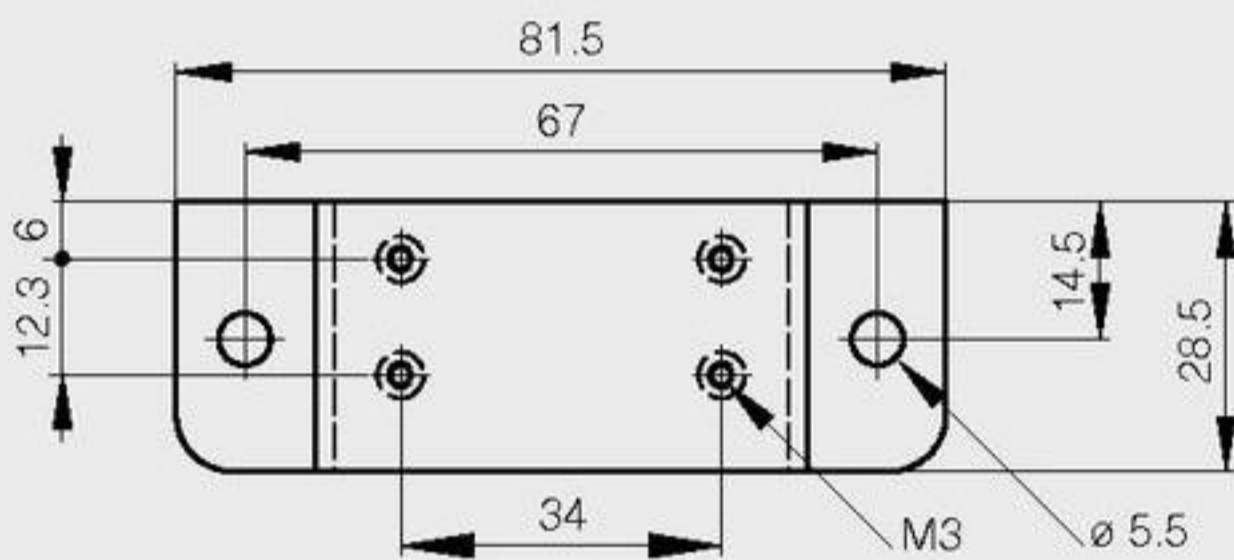


Bracket for hinge 70-1-3520

This bracket is used to mount the hinge on metal enclosures

part number	material	finish	weight
99-1-3607	steel	zinc plated	45.7g



Concealed heavy duty hinge - for flush doors - 90° opening

Concealed hinge for LH or RH application.

The 2 main hinge parts have a central guide to prevent door from sagging during adjustment.

A	B	C	D	part number	material	finish	weight
60	48	3	6	85-7-1321	steel	raw / zinc plated	189g
60	48	3	6	85-7-2331	304 stainless steel	raw	189g

