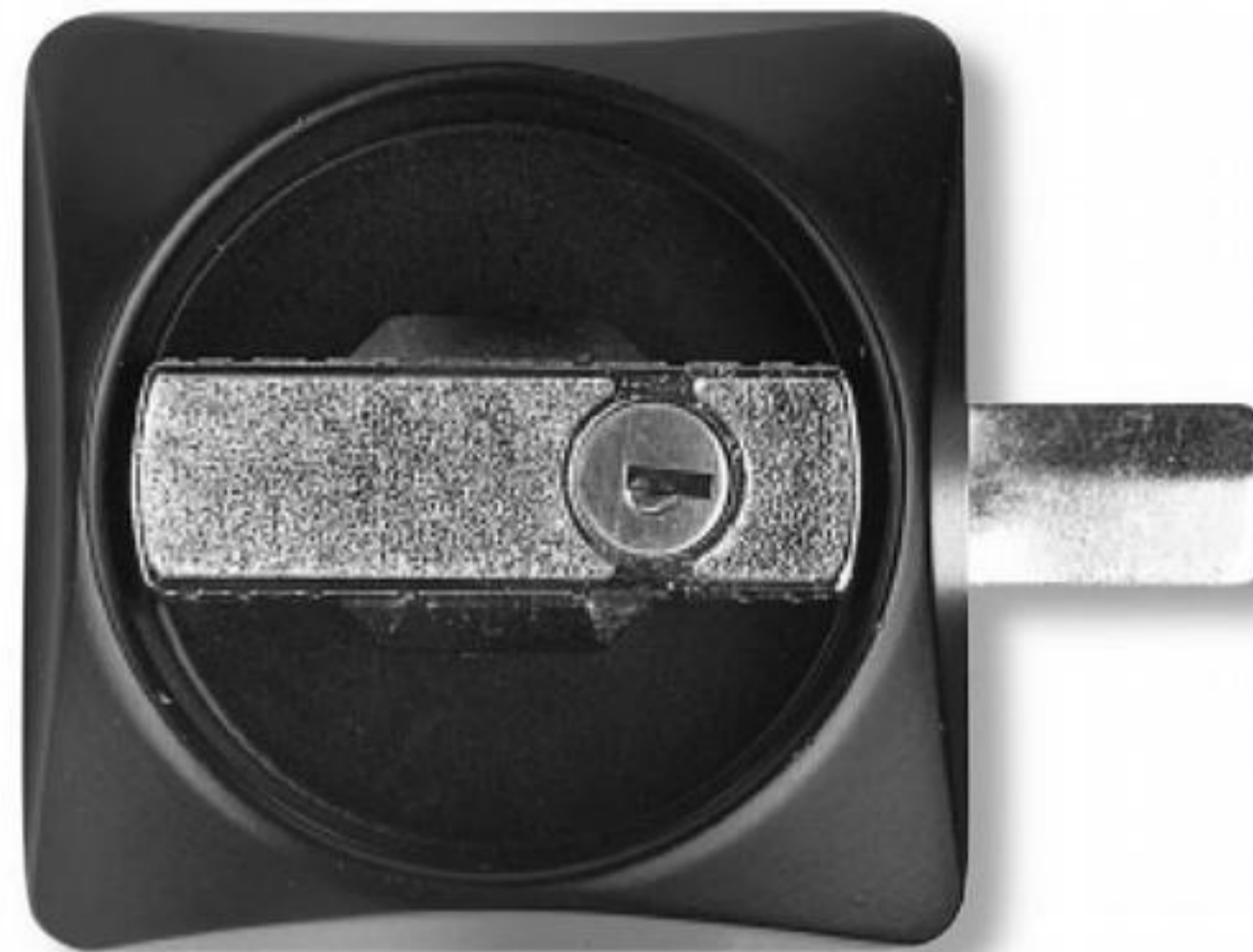




Buy on-line
at the FA Parkes
sales portal
the quickest
and most efficient
way to purchase
all your hardware
requirements; locks
handles, hinges
stays, gasketing
etc....

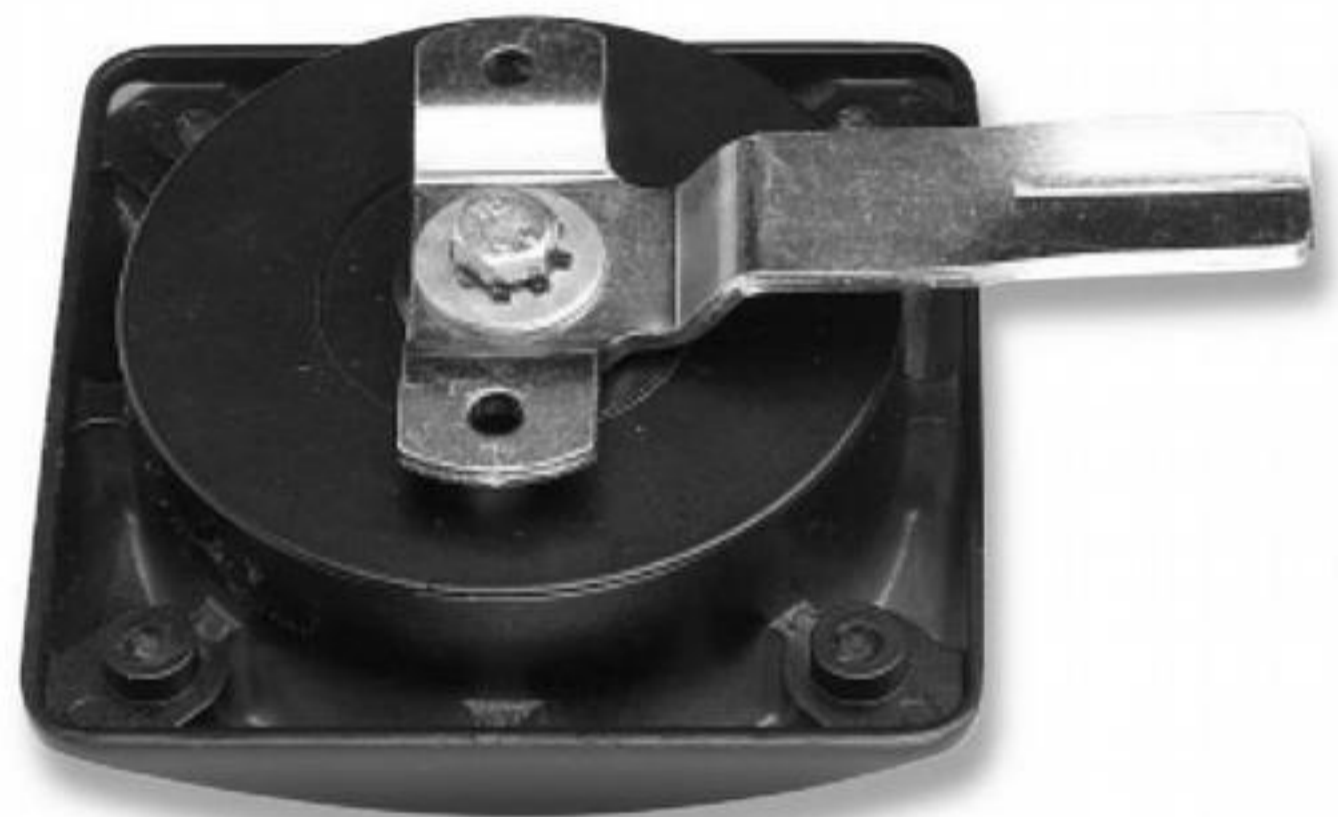
www.faparkes.co.uk
your one stop shop!



9/01840



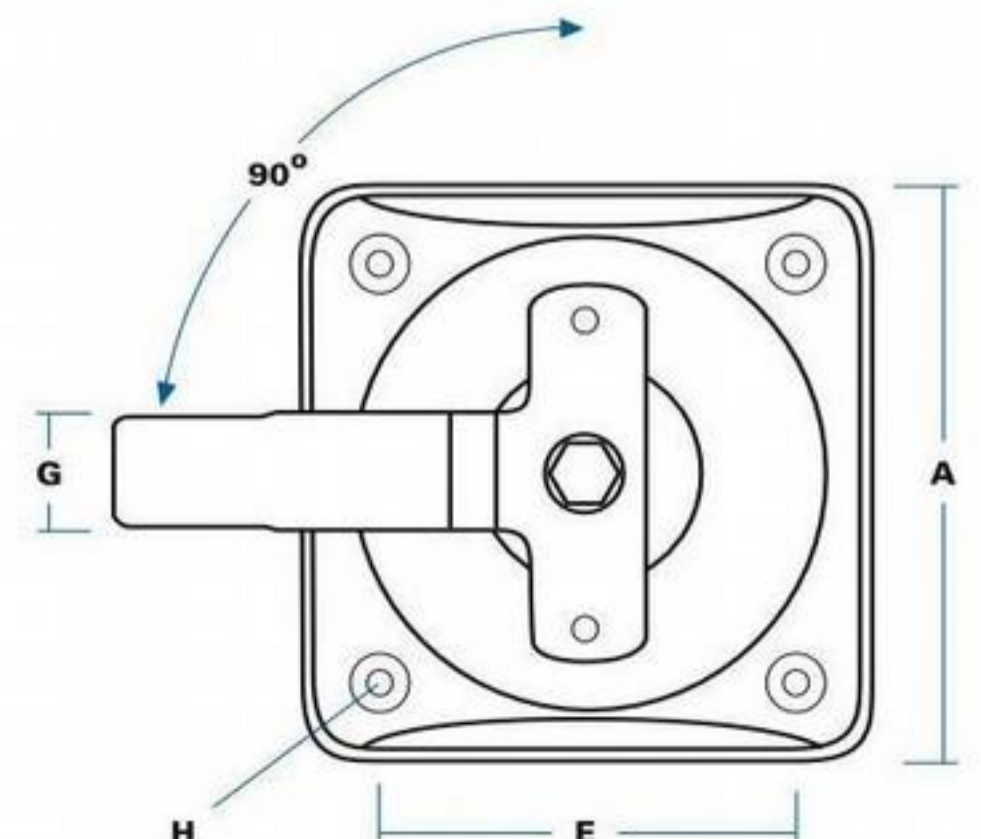
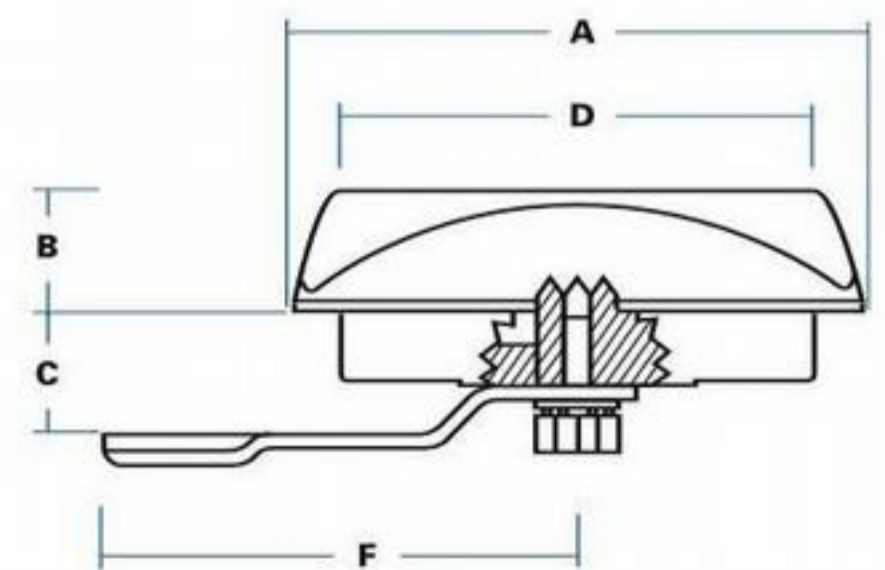
View of underside
showing circular form
& tapped bosses



ORDERING CODE

9/01840	Semi-flush recess latch
9/01840/1	As above, FS 880 standard keys
9/01841	Non-locking model

SPECIFICATION



A	Case length / breadth	98 mm
B	Height	20 mm
C	Max depth	22.5 mm
D	Recess diameter	82 mm
E	Hole centres	72 mm
F	Engagement	82 mm
G	Latch bar width	20 mm
H	Hole sizes	M5 x 10 mm

F.A. Parkes (M.B.F) Limited
Unit 4, Acorn Court
Butts Street, Leigh
Lancashire WN7 3AE

Tel. 01942 681 996
sales@faparkes.co.uk