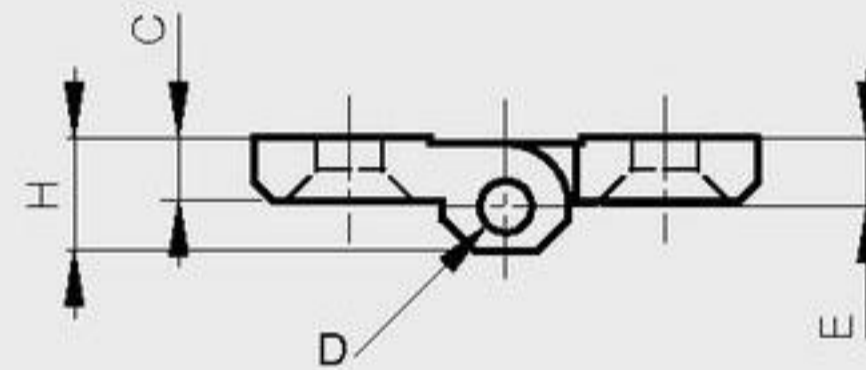
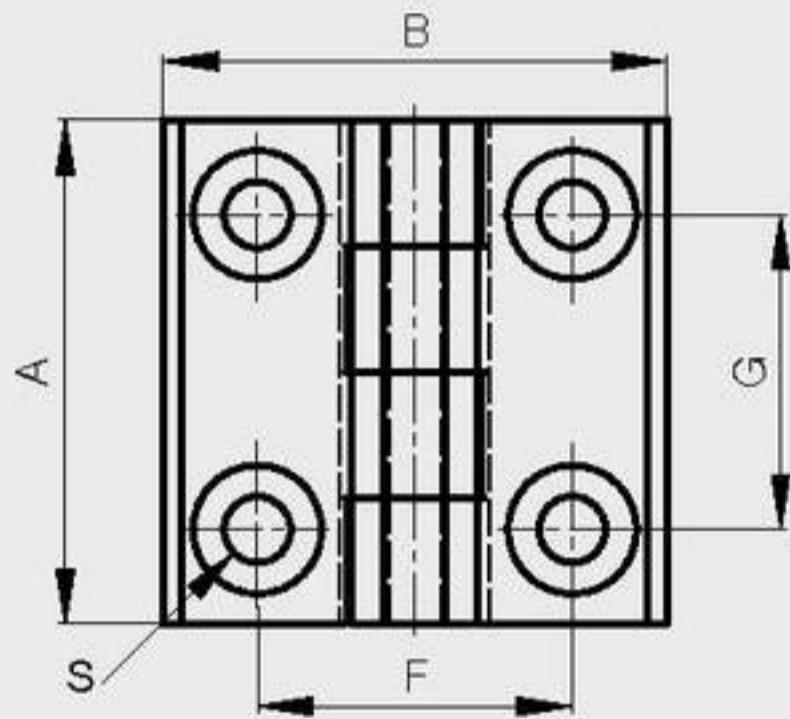


Reinforced polyamide hinges with countersunk holes

Hinges are made of 30% GF polyamide, pins are in 304 stainless steel.
 A full product data sheet is available on our website.

A	B	C	D	E	F	G	H	S	part number	material	finish	weight
40	40	5	4	5.5	25	25	9	5.3	54-1-3029	polyamide	black	44g
50	50	6	6	6.5	30	30	11.5	6.4	54-1-3030	polyamide	black	56g



Reinforced polyamide hinges with studs

Hinges are made of 30% GF polyamide, pins are in 304 stainless steel.
 A full product data sheet is available on our website.

A	B	C	D	E	F	G	H	L	M	part number	material	finish	weight
40	40	5	4	5.5	25	25	9	11	M5	54-1-3031	polyamide	black	56g
50	50	6	6	6.5	30	30	11.5	15	M6	54-1-3032	polyamide	black	76g

