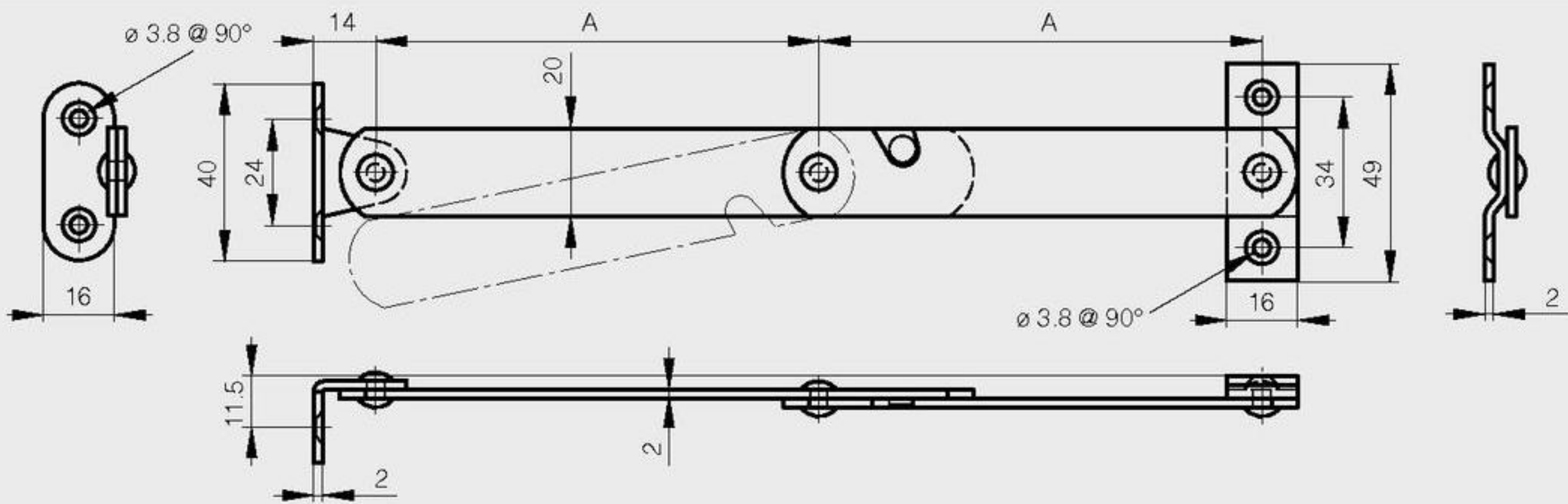


### Stays

A	note	part number	material	finish	weight
125	as shown below	24-7-3525	steel	zinc plated	116g
125	symmetrical version not shown	24-7-3526	steel	zinc plated	116g
150	as shown below	24-7-3527	steel	zinc plated	133g
150	symmetrical version not shown	24-7-3528	steel	zinc plated	133g
175	as shown below	24-7-3529	steel	zinc plated	152g
175	symmetrical version not shown	24-7-3530	steel	zinc plated	152g
200	as shown below	24-7-3531	steel	zinc plated	167g
200	symmetrical version not shown	24-7-3532	steel	zinc plated	167g



### Spring loaded stay

A full product data sheet is available on our website.

A	B	note	part number	material	finish	weight
92	28.5	torque : 3 Nm	24-7-3569	304 stainless steel	polished	120g
92	28.5	torque : 4 Nm	24-7-3570	304 stainless steel	polished	120g

