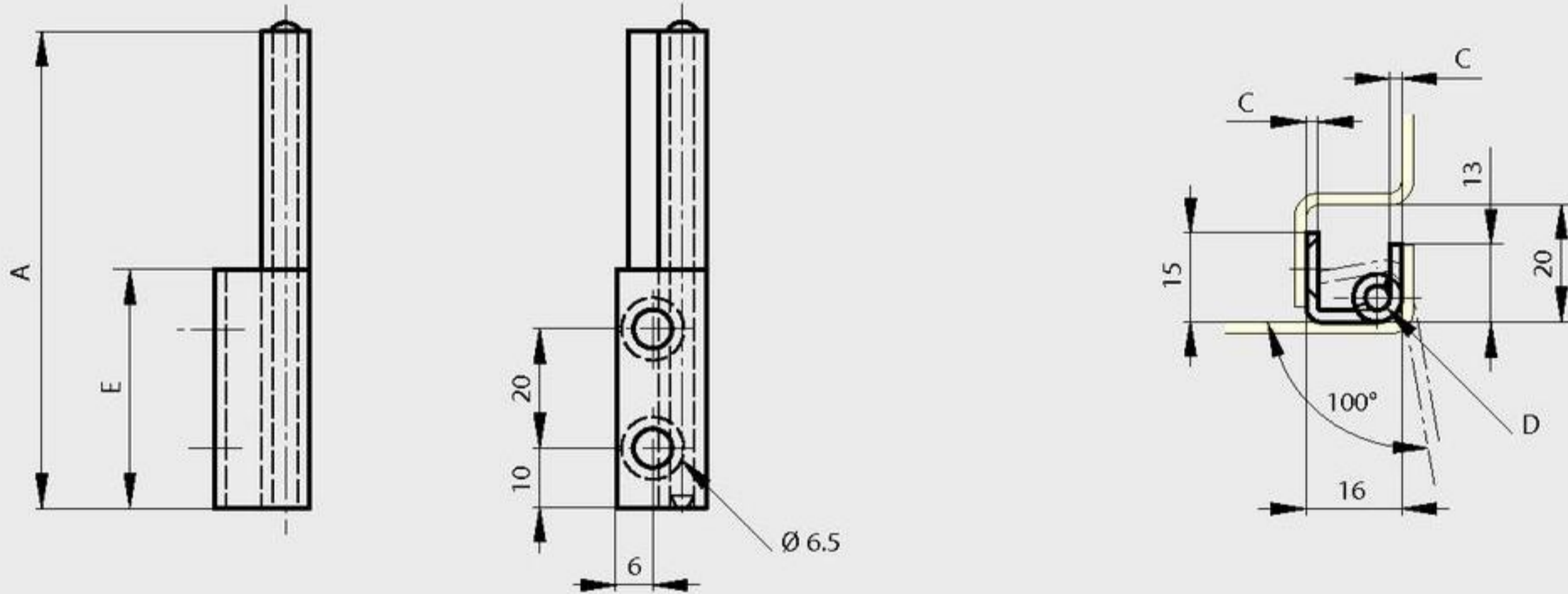


Concealed pin hinges - 100° opening

Non handed fitting

Removable pin in 304 stainless steel

A	C	D	E	part number	material	finish	weight
80	2	4	40	12-1-3537	steel	raw	45g
80	2	4	40	12-1-3538	304 stainless steel	raw	45g



Concealed hinge 110° opening

new!

Heavy duty concealed hinge

Tested to 10,000 cycles using 2 hinges with a door weight of 25 kg measuring 1 m x 1 m.

Links in anodised aluminium.

A	B	C	part number	material	finish	weight
102	80.5	76	70-1-3557	steel	zinc plated	520g

