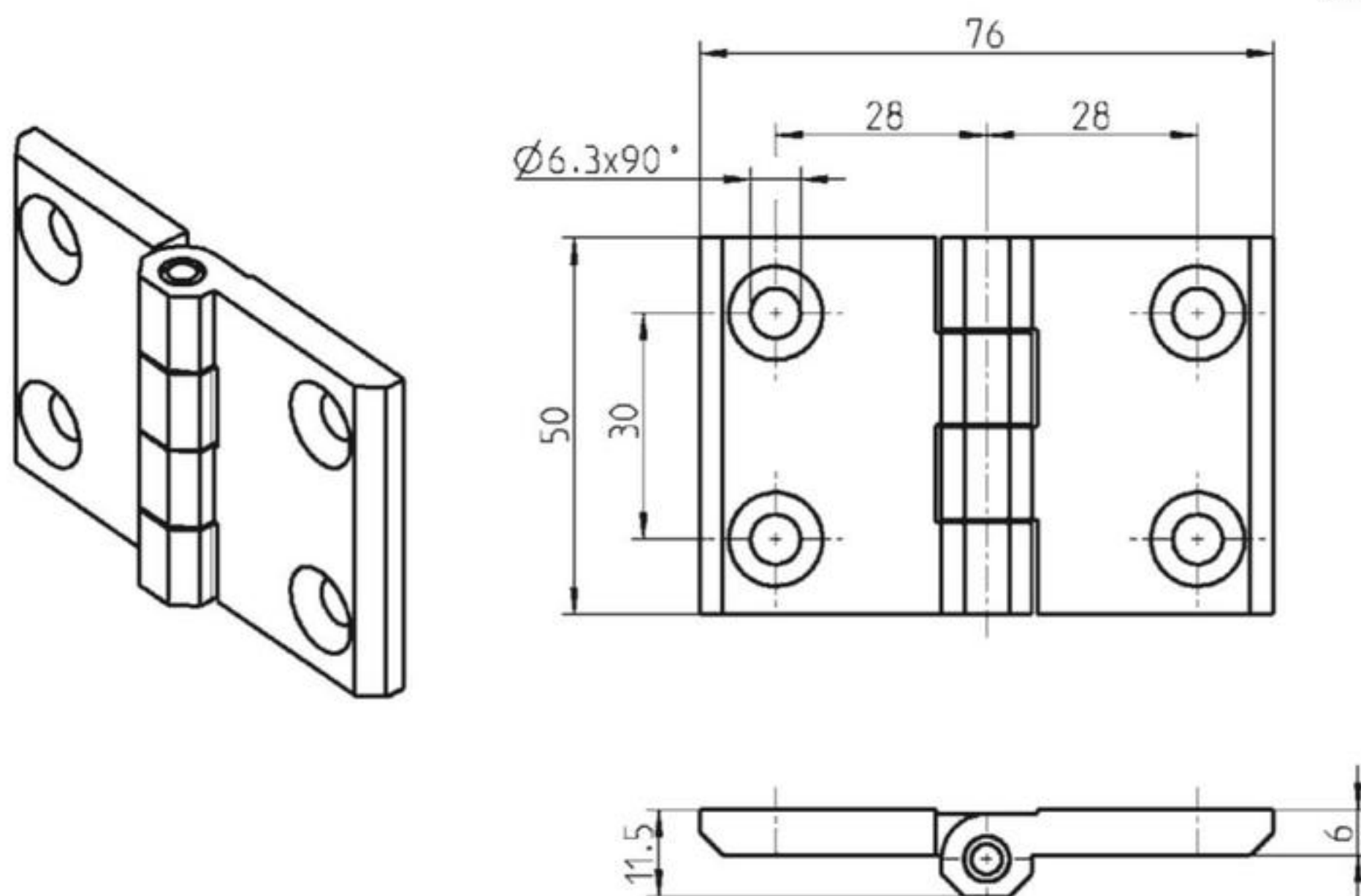




Buy on-line  
at the FA Parkes  
sales portal  
the quickest  
and most efficient  
way to purchase  
all your hardware  
requirements; locks  
handles, hinges  
stays, gasketing  
etc....

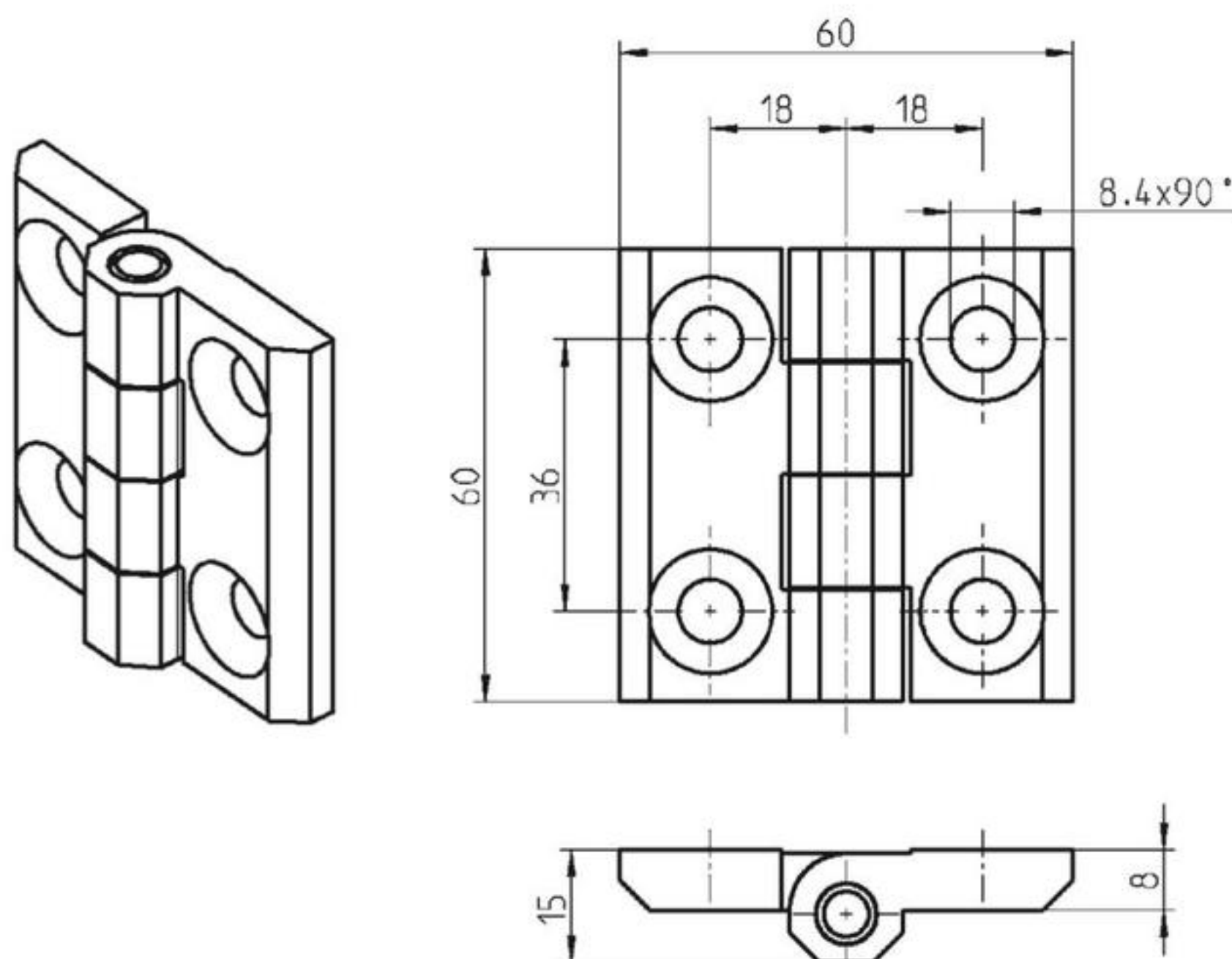
[www.faparkes.co.uk](http://www.faparkes.co.uk)  
your one stop shop!



Screw-on hinge AISI 316 for countersunk screw M6

(2D-nut possible)

1056-U17-PH



Screw-on hinge AISI 316 for countersunk screw M8

1056-U13-PH

F.A. Parkes (M.B.F) Limited  
Unit 4, Acorn Court  
Butts Street, Leigh  
Lancashire WN7 3AE

Tel. 01942 681 996  
[sales@faparkes.co.uk](mailto:sales@faparkes.co.uk)