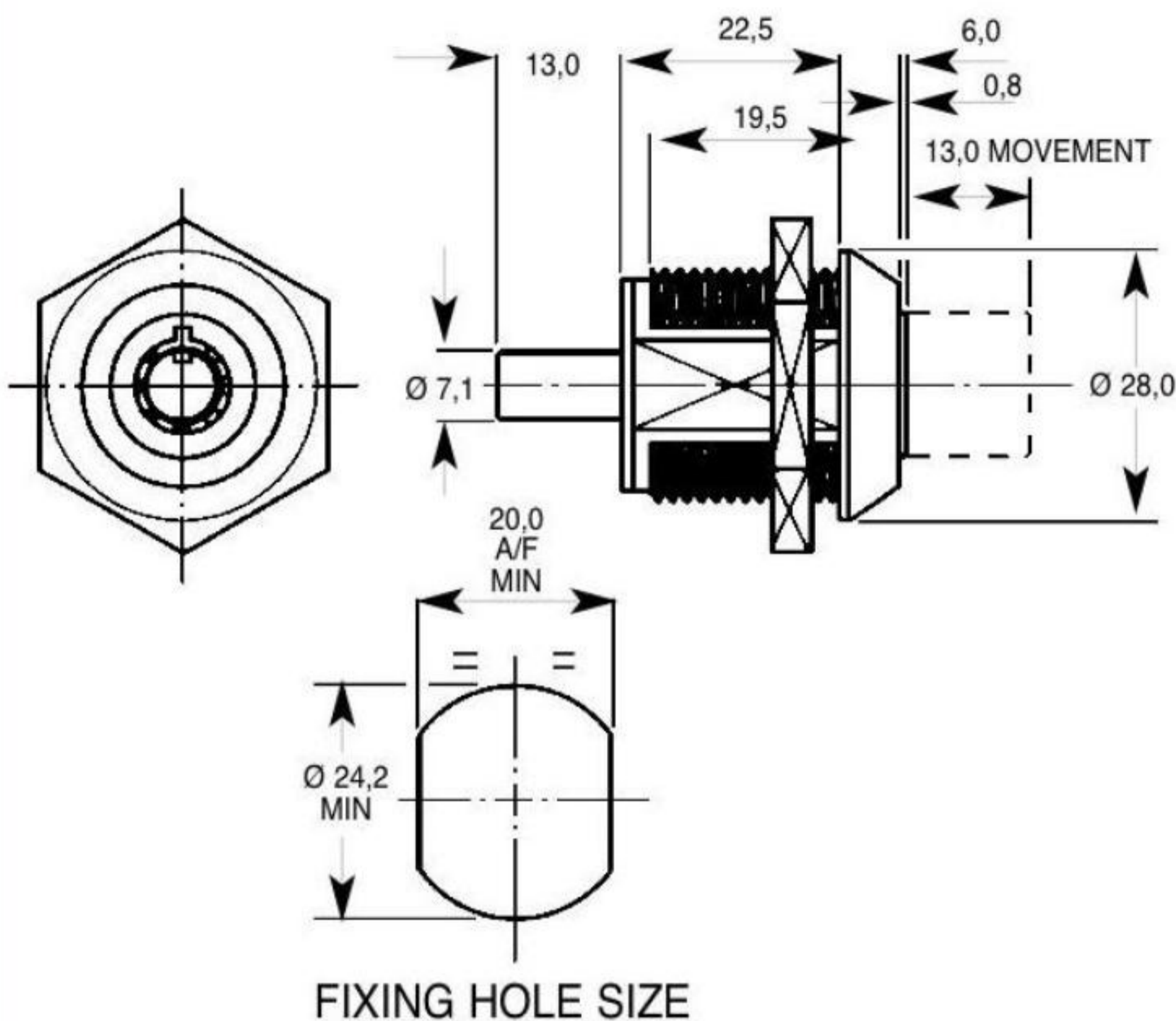




Buy on-line
at the FA Parkes
sales portal
the quickest
and most efficient
way to purchase
all your hardware
requirements; locks
handles, hinges
stays, gasketing
etc....

www.faparkes.co.uk
your one stop shop!



PRODUCT REFERENCE NUMBER	KEY SERIES	COMBINATIONS
4361 - 1400	28	10,000

STANDARD FINISH: BRIGHT CHROME

NON-MASTERED ONLY

10 PIN AVAILABLE ON REQUEST.

ANTI DRILL FEATURE AVAILABLE ON REQUEST.

F.A. Parkes (M.B.F) Limited
Unit 4, Acorn Court
Butts Street, Leigh
Lancashire WN7 3AE

Tel. 01942 681 996
sales@faparkes.co.uk