



Buy on-line
at the FA Parkes
sales portal
the quickest
and most efficient
way to purchase
all your hardware
requirements; locks
handles, hinges
stays, gasketing
etc....

www.faparkes.co.uk
your one stop shop!



9/01782-3
(80mm)



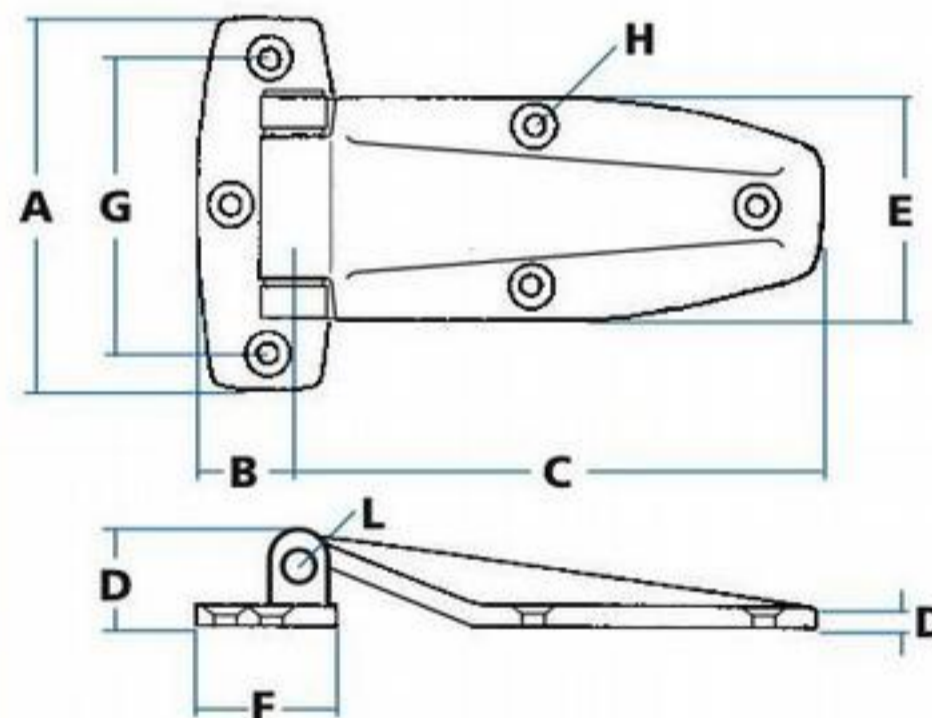
9/01780-1
(120mm)

ORDERING CODE

9/01780	Stainless profile hinge, 120 mm, RH
9/01781	Stainless profile hinge, 120 mm, LH
9/01782	Stainless profile hinge, 80 mm, RH
9/01783	Stainless profile hinge, 80 mm, LH

SPECIFICATION

	80 mm	120 mm
A Width	64 mm	82 mm
B location	20 mm	25 mm
C Length	80 mm	120 mm
D Height	15 mm	20 mm
E Max. Width	40 mm	50 mm
F Base centres	28 mm	32 mm
G Location	52 mm	64 mm
H Hole sizes(dia)	4 mm	6 mm
J Location	9 mm	12 mm
K Thickness	2.5 mm	4.0 mm
L Pin diameter	6 mm	8 mm



Note: Headed pin is shown fitted in right hand position: this is removable and can be reversed on site

ORDERING CODE

9/00701	Diecast profile hinge, 120 mm
----------------	-------------------------------

less expensive than stainless models, the diecast hinge is ideal for interior and less-demanding applications



F.A. Parkes (M.B.F) Limited
Unit 4, Acorn Court
Butts Street, Leigh
Lancashire WN7 3AE

Tel. 01942 681 996
sales@faparkes.co.uk