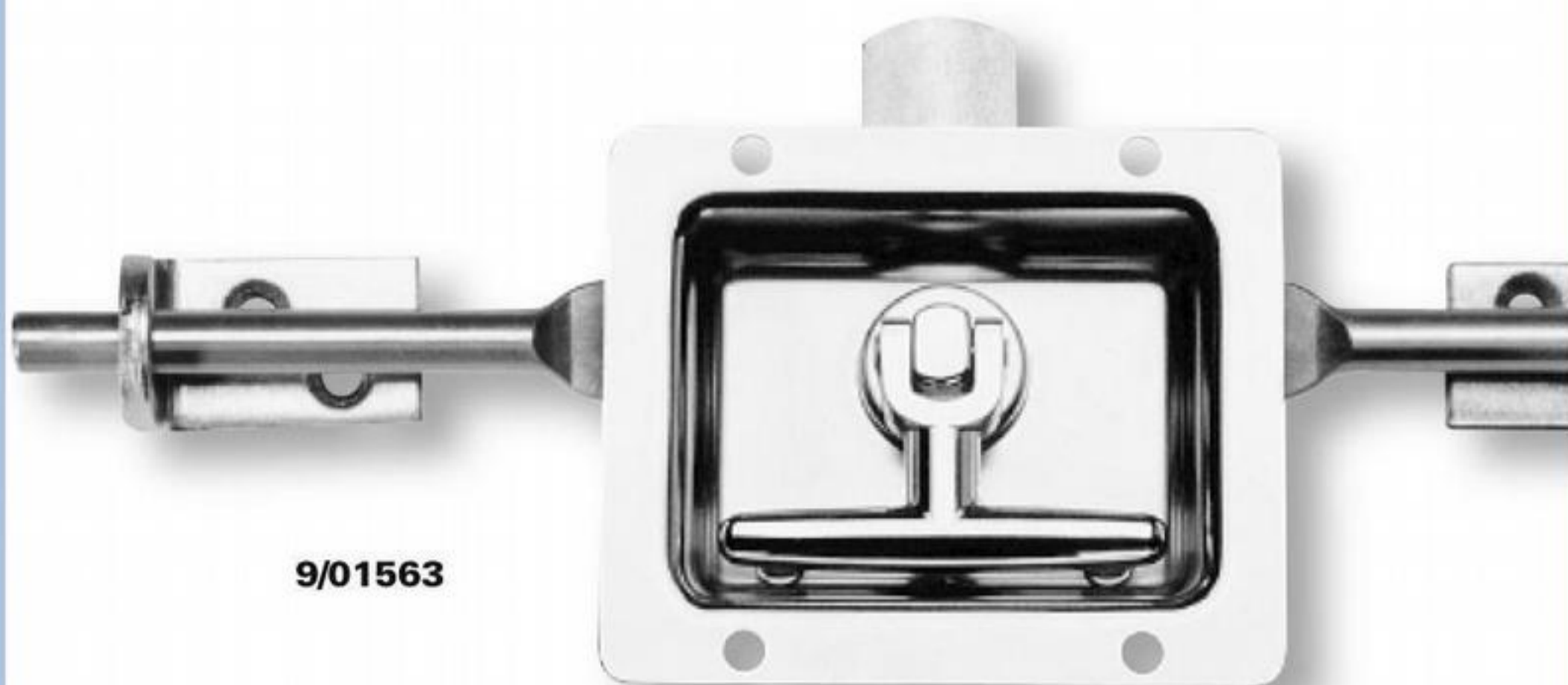




Buy on-line
at the FA Parkes
sales portal
the quickest
and most efficient
way to purchase
all your hardware
requirements; locks
handles, hinges
stays, gasketing
etc....

www.faparkes.co.uk
your one stop shop!



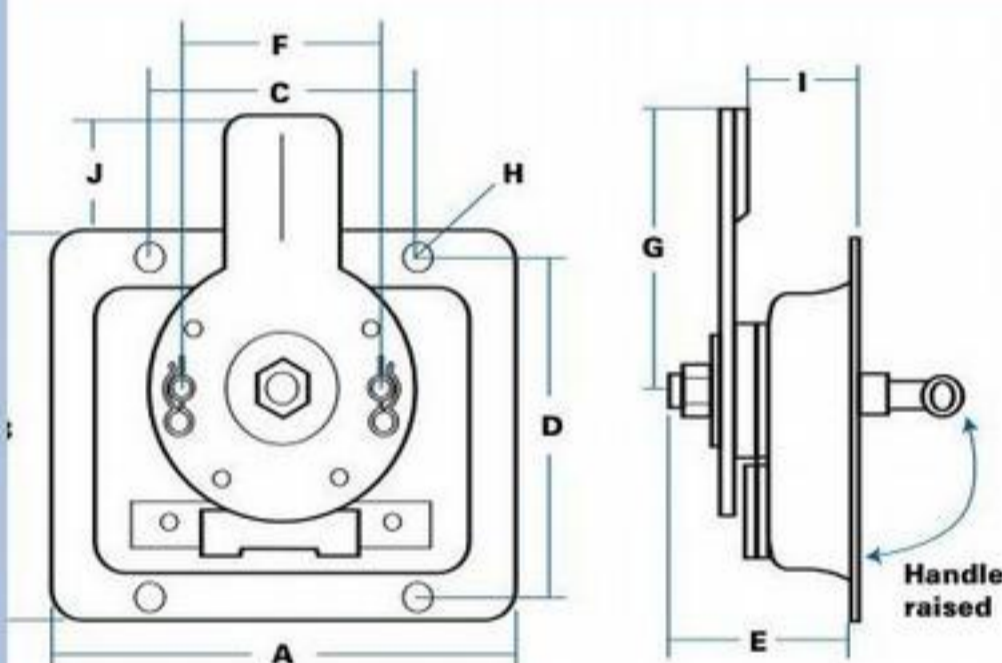
9/01563

ORDERING CODE

9/01563	3-way Drop-T set, stainless, non locking, c/w rods
9/01564	3-way Drop-T set, mild steel, non locking, c/w rods
9/01569	Centre only, 3-way, stainless, non locking
9/01570	Centre only, 3-way, mild steel, non locking

SPECIFICATION

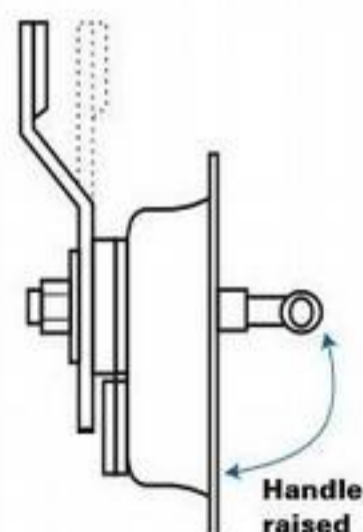
A	Width of pan	120 mm
B	Length of pan	100 mm
C	Hole centres	69 mm
D	Hole centres	90 mm
E	Max depth	45 mm
F	Rod fixing centre	52 mm
G	Length of latch Cam depth	70 mm 3 mm
H	Hole sizes (dia)	7.5 mm
I	Engagement	27 mm
J	Visible length	30 mm
K	Rod length	1145 x 9.5 mm (dia)



Rods withdraw by 25mm in line of travel, as latch disc rotates through 90°.

LATCH TONGUE OPTIONS

Tongues have 3mm cam-form



'Cranked down'

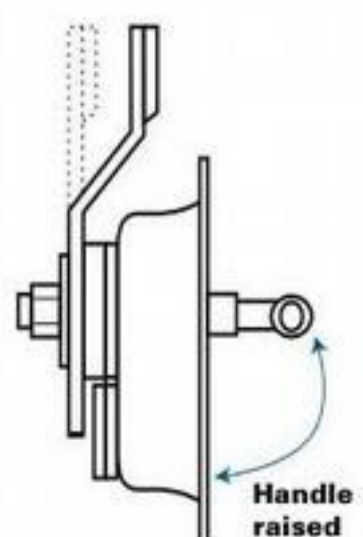
3-way tongue can be shaped to increase 'I' dimensions

Suffix A

I=32mm

Suffix B

I=37mm



'Cranked up'

3-way tongue can be shaped to reduce 'I' dimensions

Suffix C

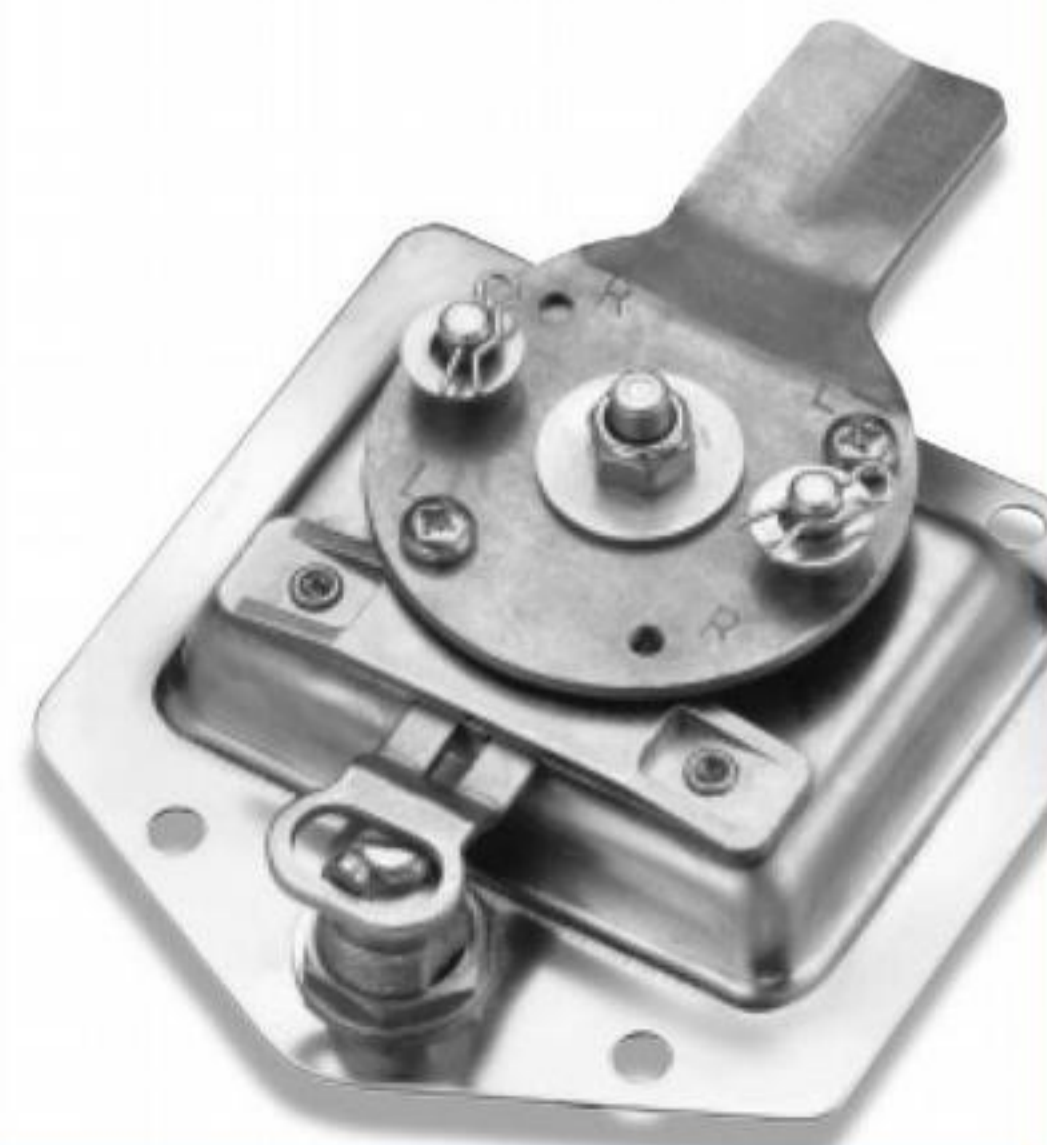
I=22mm

Suffix D

I=17mm

Illustration shows 3-way centre with tongue cranked down to 37mm.

Also visible are pillar-rivets for attachment of rods, and screws to set 'L' or 'R' movement



F.A. Parkes (M.B.F) Limited
Unit 4, Acorn Court
Butts Street, Leigh
Lancashire WN7 3AE

Tel. 01942 681 996
sales@faparkes.co.uk