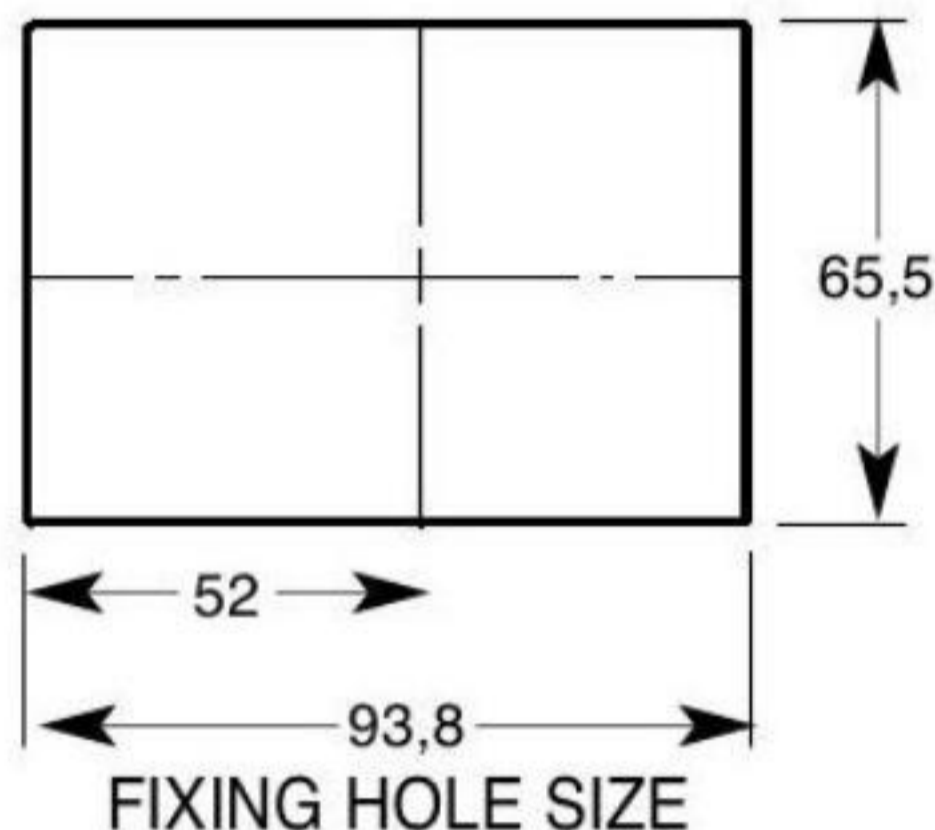
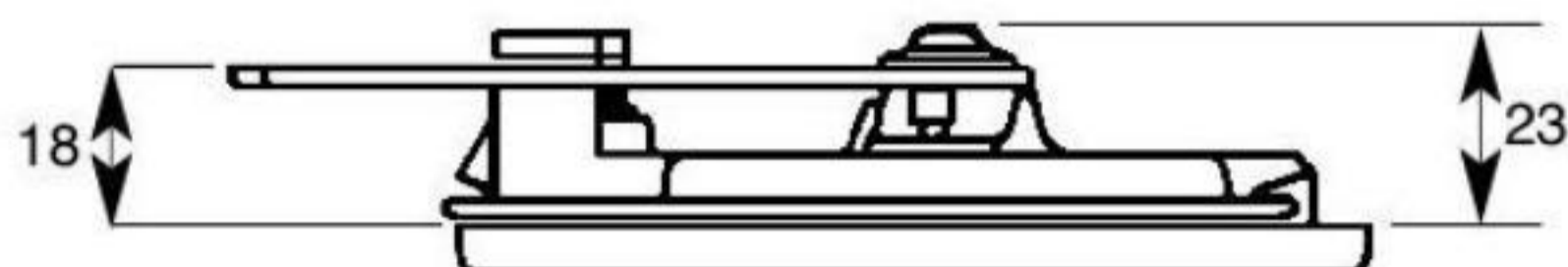
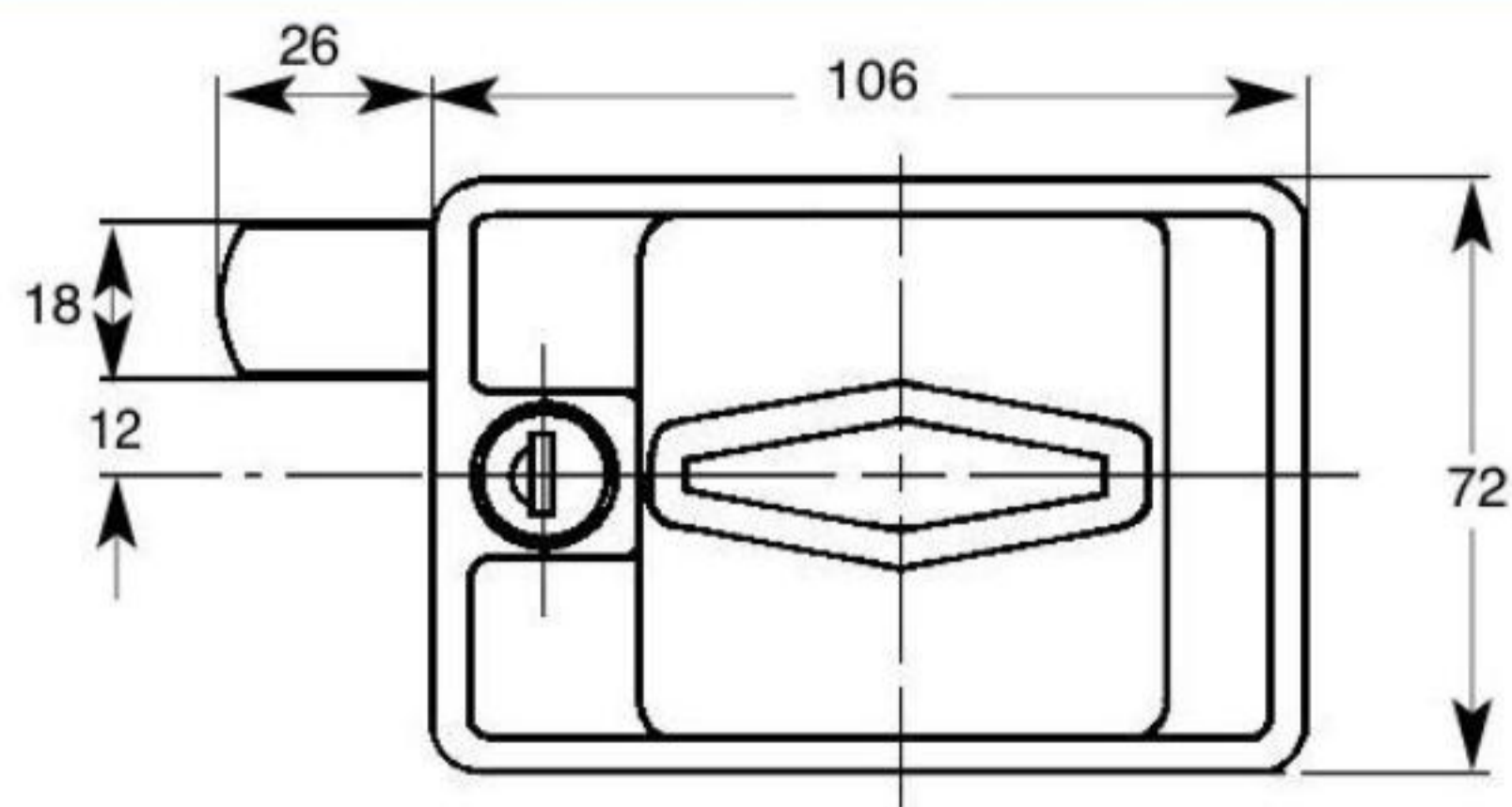




Buy on-line  
at the FA Parkes  
sales portal  
the quickest  
and most efficient  
way to purchase  
all your hardware  
requirements; locks  
handles, hinges  
stays, gasketing  
etc....

[www.faparkes.co.uk](http://www.faparkes.co.uk)  
your one stop shop!



**PRODUCT REFERENCE NUMBERS**

| KEY SERIES | COMBINATIONS | LOCKING |
|------------|--------------|---------|
| 64 M       | 1000         | 1856    |

**M = MASTER KEY SYSTEM: SUPPLIED TO ORDER ONLY**

**STANDARD MOVEMENTS: 01, 02**

**STANDARD FINISHES: ROSE: BROWN HANDLE: BEIGE  
SILVER BLACK**

**1. Quick-fixing suitable for panel thickness ranging from 0,8 to 1,2mm;**

**2. Minimal projection: In the locked position, the handle projects only 11mm from the face of the door. This feature offers the following advantages over traditional L and T Handles.**

**PACKING**

**No special packing is required, and there is less risk of the handle damaging neighbouring cabinets whilst in transit.**

**TRANSPORT**

**Less space is used, resulting in lower transport costs.**

**THE END USER**

**Very simple operation, with no risk of damaging clothing of passers-by.**

F.A. Parkes (M.B.F) Limited  
Unit 4, Acorn Court  
Butts Street, Leigh  
Lancashire WN7 3AE

Tel. 01942 681 996  
[sales@faparkes.co.uk](mailto:sales@faparkes.co.uk)