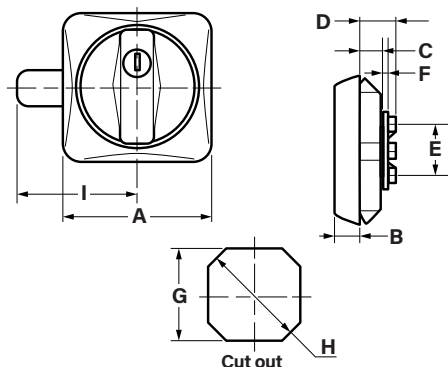


Flush Fitting Handle



A flush fitting handle with a satin chrome handle. Available with a quick fixing feature and with minimal projection, this handle is ideal for various applications including metal office furniture, enclosures and lockers.

CHROME

- Keyed 92369
- Cam 6521820
- Available with other key and cam specifications.

Part No.	A	B	C	D	E	F	G	H	I
22332	□87	15	13.8	23.5	35	2.5	□72.1	□84.1	Ask for details

All dimensions shown in mm unless otherwise stated. We reserve the right to alter specifications without notice.



Thousands of products available to buy online



Reliable international delivery service



The UK's leading stockist of locks, handles, hinges gas springs & accessories

Order online at
www.faparkes.co.uk

Your *One-Stop-Shop* for all your hardware requirements!



FA Parkes Ltd
Unit 4, Acorn Court
Butts Street,
Leigh
Lancashire, UK
WN7 3AE



+44 (0) 1942 681 996



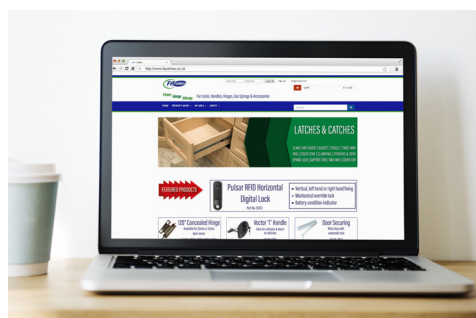
+44 (0) 1942 681 997



www.faparkes.co.uk



sales@faparkes.co.uk



- Search by keyword or part number
- Browse by part type
- Product datasheet downloads
- No sign up required!

