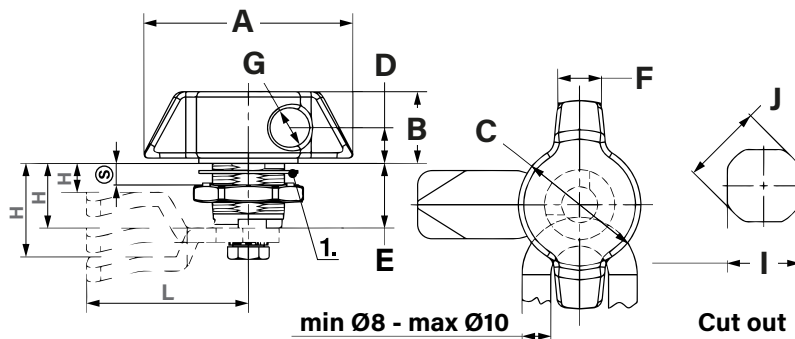


Wing Handle - Padlockable



Wing handle available in AISI 316 stainless steel with polished surface.

Padlock feature only if cam is at 90° to the wing knob.

Please configure the quarter-turn with a cam.

(S) Door-thickness max. 8mm

1. Flat external seal

- AISI 316 Stainless Steel
- Housing and nut: stainless steel
- IP65/67 according to DIN EN 60529.
- Grounding by grounding nut
- LH / RH

Part No.	A	B	C	D	E	F	G	I	J
22307	58	20	Ø34	10	18	12	Ø11	□20.1 ^{+0.1}	Ø22.5 ^{+0.5}

All dimensions shown in mm unless otherwise stated. We reserve the right to alter specifications without notice.



Thousands of products available to buy online



Reliable international delivery service



The UK's leading stockist of locks, handles, hinges gas springs & accessories

Order online at
www.faparkes.co.uk

Your One-Stop-Shop for all your hardware requirements!



FA Parkes Ltd
Unit 4, Acorn Court
Butts Street,
Leigh
Lancashire, UK
WN7 3AE



+44 (0) 1942 681 996



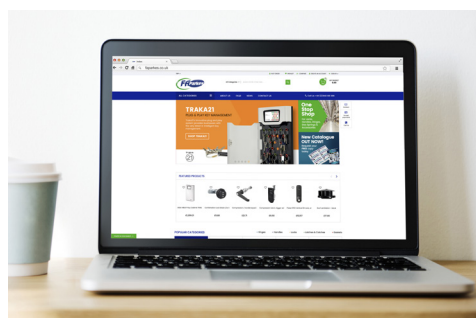
+44 (0) 1942 681 997



www.faparkes.co.uk



sales@faparkes.co.uk



- Search by keyword or part number
- Browse by part type
- Product datasheet downloads
- No sign up required!

