

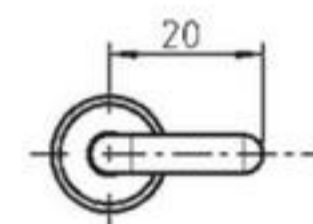
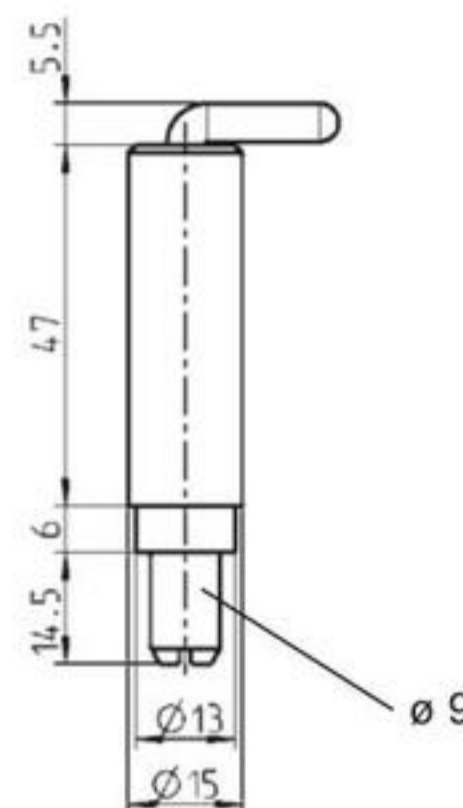
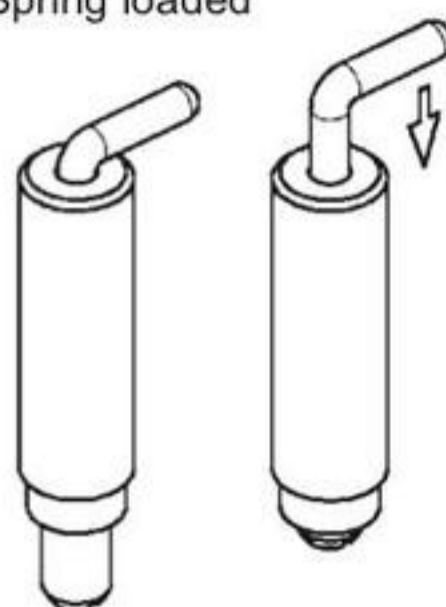


Buy on-line  
at the FA Parkes  
sales portal  
the quickest  
and most efficient  
way to purchase  
all your hardware  
requirements; locks  
handles, hinges  
stays, gasketing  
etc....

[www.faparkes.co.uk](http://www.faparkes.co.uk)  
your one stop shop!



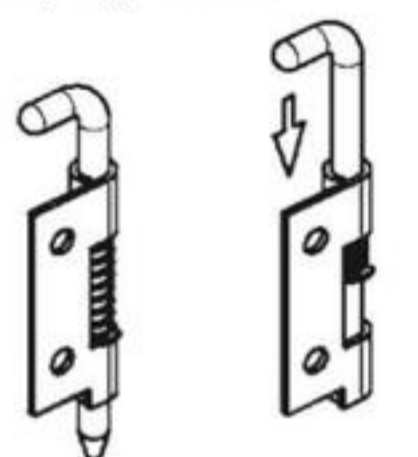
Spring loaded



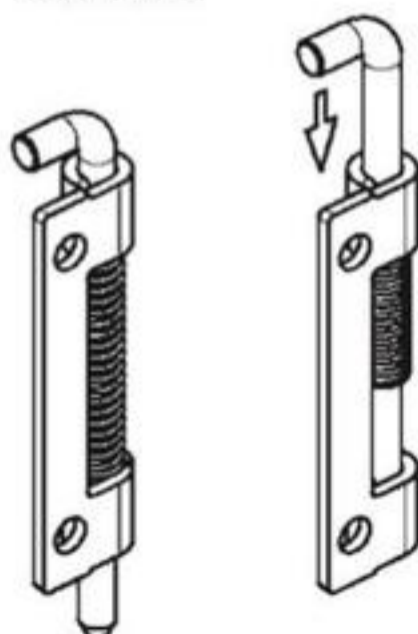
Pin hinge m.s. zinc pl., spring material spring steel zinc pl.,  
guide tube m.s. raw or stainless steel AISI 303

m.s.	1117-U1
AISI 303	1117-U1-PF

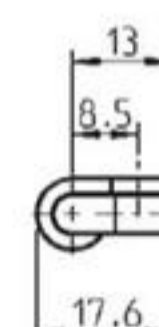
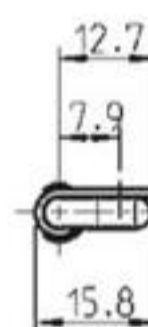
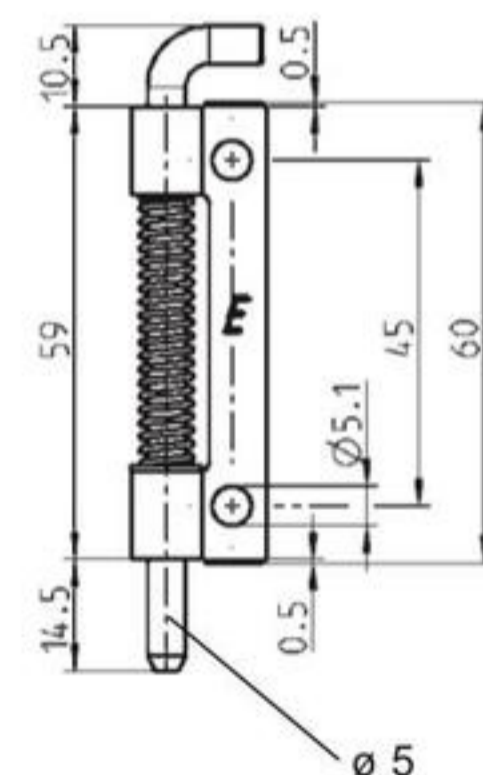
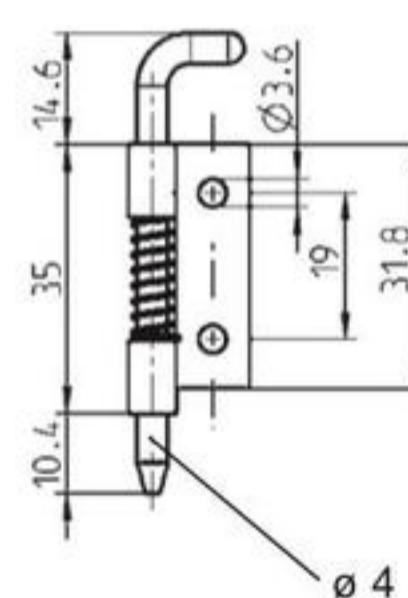
Spring loaded



Version A



Version B



Pin hinge m.s. zinc pl., spring material spring steel zinc pl.

RH-version A	1117-U2	LH-version A	1117-U3
RH-version B	1117-U4	LH-version B	1117-U5

F.A. Parkes (M.B.F) Limited  
Unit 4, Acorn Court  
Butts Street, Leigh  
Lancashire WN7 3AE

Tel. 01942 681 996  
[sales@faparkes.co.uk](mailto:sales@faparkes.co.uk)