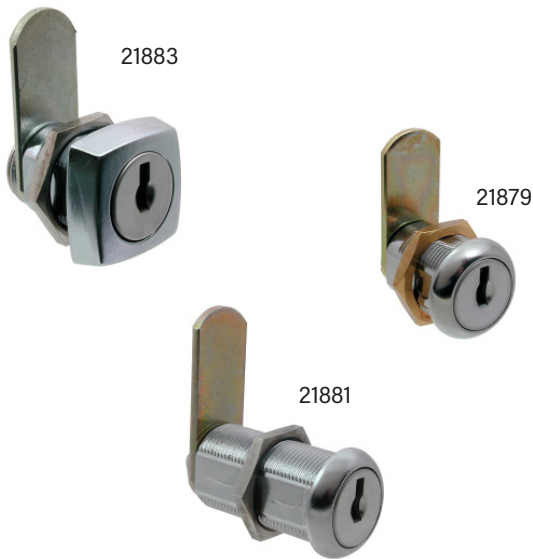


Camlocks

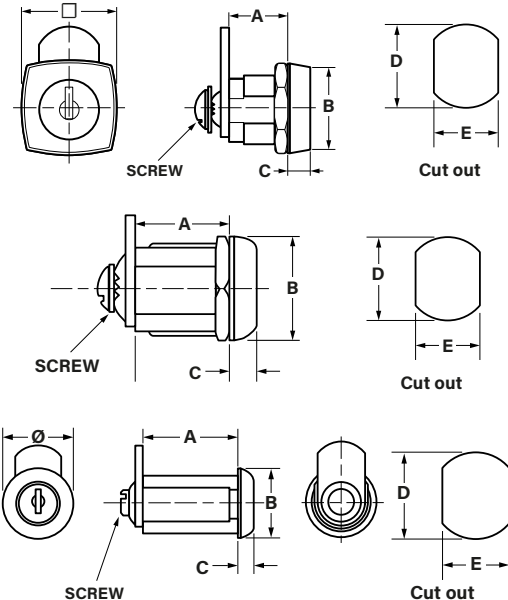


A series of Camlocks in various sizes available in bright chrome.

Ideal for numerous applications such as lockers, heavy duty vehicles, metal office furniture and medical furniture.

Part No.	A	B	C	D	E
21883	16	□24	7	Ø19.1 min	Ø16 min
21879	20	Ø22	5	Ø19.1 min	Ø16.5 min
23167	27	Ø22	5	Ø19.1 min	Ø16.6 min
21881	32	Ø22	5	Ø19.1 min	Ø16.6 min

All dimensions shown in mm unless otherwise stated. We reserve the right to alter specifications without notice.



- 200 lock combinations
- Keyed 92 series



Thousands of products available to buy online



Reliable international delivery service



The UK's leading stockist of locks, handles, hinges gas springs & accessories

Order online at

www.faparkes.co.uk

Your *One-Stop-Shop* for all your hardware requirements!



FA Parkes Ltd
Unit 4, Acorn Court
Butts Street,
Leigh
Lancashire, UK
WN7 3AE



+44 (0) 1942 681 996



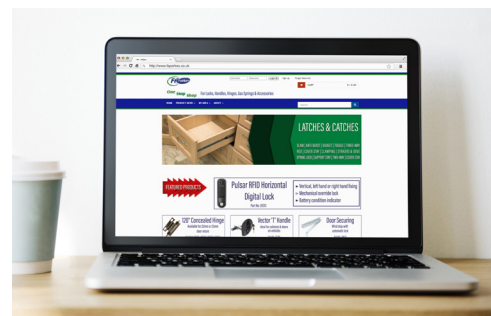
+44 (0) 1942 681 997



www.faparkes.co.uk



sales@faparkes.co.uk



- Search by keyword or part number
- Browse by part type
- Product datasheet downloads
- No sign up required!

