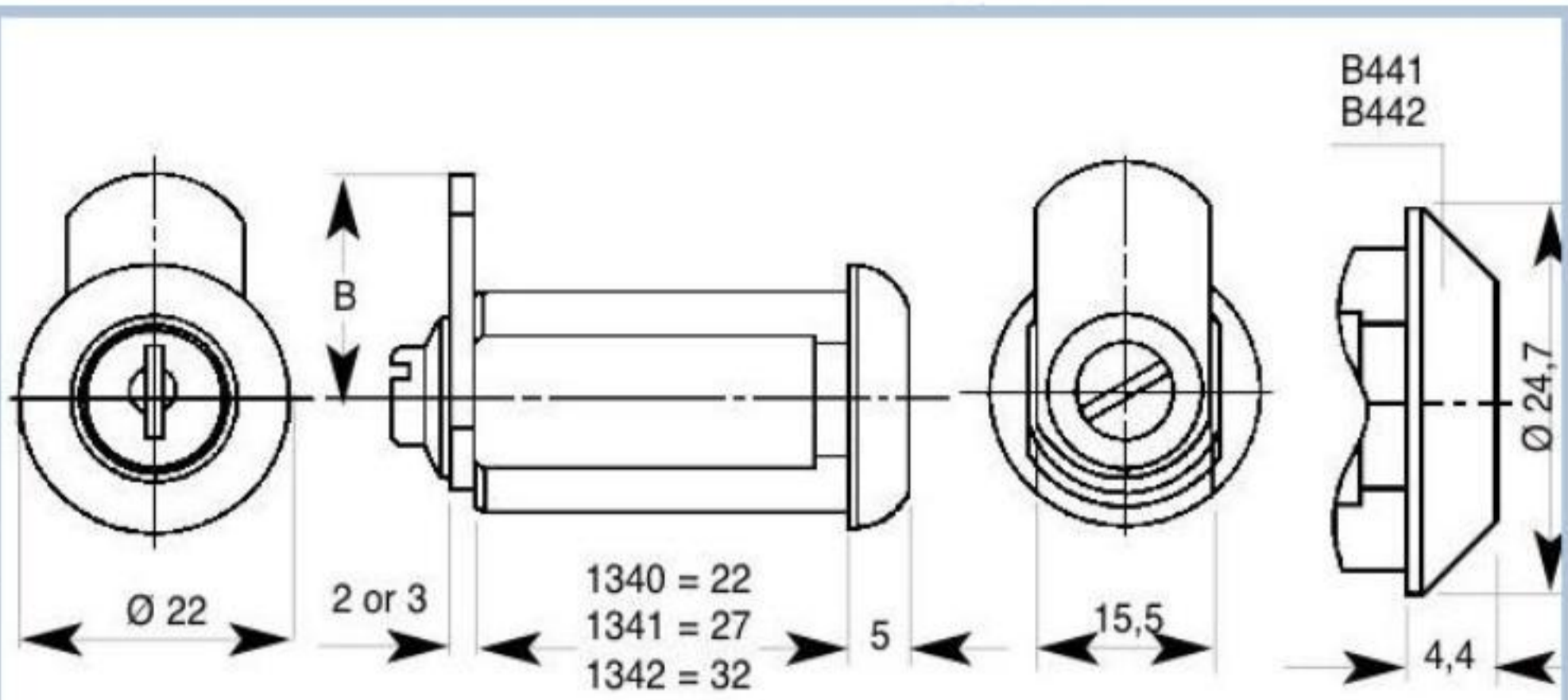
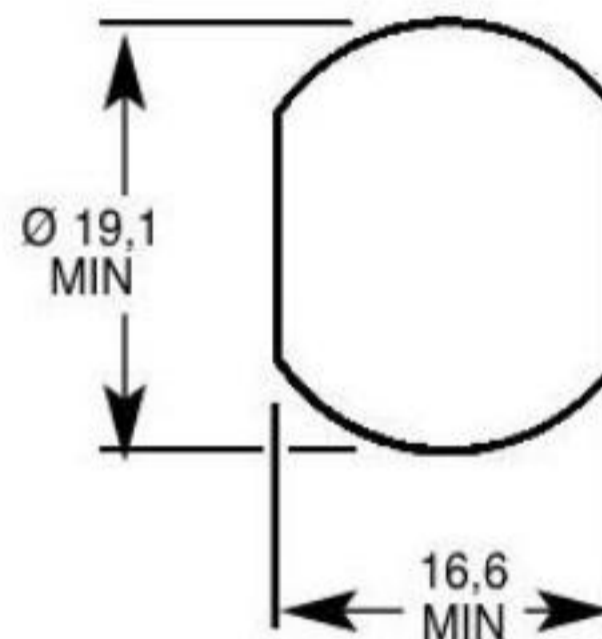




Buy on-line
at the FA Parkes
sales portal
the quickest
and most efficient
way to purchase
all your hardware
requirements; locks
handles, hinges
stays, gasketing
etc....
www.faparkes.co.uk
your one stop shop!



PHOTOGRAPH SHOWS
LOCK FITTED WITH
WASHER 7005201.
WE RECOMMEND THIS
WHEN FITTING TO
WOODEN PANELS.



FIXING HOLE SIZE

THE LOCK IS
AVAILABLE WITH
3 HOUSING LENGTHS
AS SHOWN

PRODUCT REFERENCE NUMBERS

KEY SERIES	COM-BINATIONS	NUT FIXED HOUSING	HORSESHOE CLIP FIXING
22MM			
92 M	200	1340	1384
95-97 M	2000	1440	1484
27MM			
92 M	200	1341 (B441)	1385
95-97 M	2000	1441	1485
32MM			
92 M	200	1342 (B442)	1386

M = MASTER KEY SYSTEM: SUPPLIED TO ORDER ONLY

STANDARD MOVEMENTS: 1, 2, 3, 4, 5, 6

**STANDARD FINISHES: BRIGHT CHROME
STAINLESS STEEL CAP**

HOUSING NUT CAN ONLY BE FITTED OR REMOVED IF
CAM IS REMOVED FIRST.

REF NO'S. IN () APPLY TO LOCKS WITH CONICAL HEAD.

F.A. Parkes (M.B.F) Limited
Unit 4, Acorn Court
Butts Street, Leigh
Lancashire WN7 3AE

Tel. 01942 681 996
sales@faparkes.co.uk