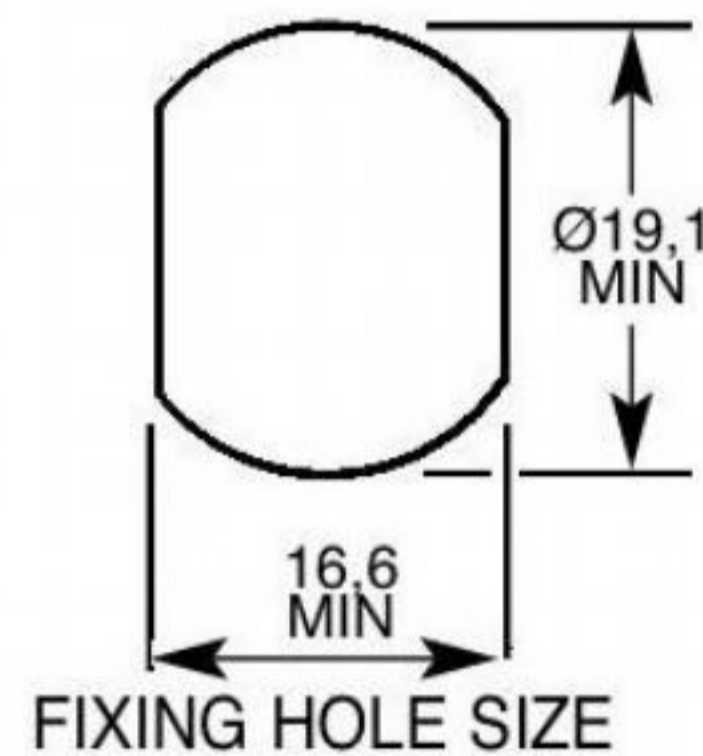
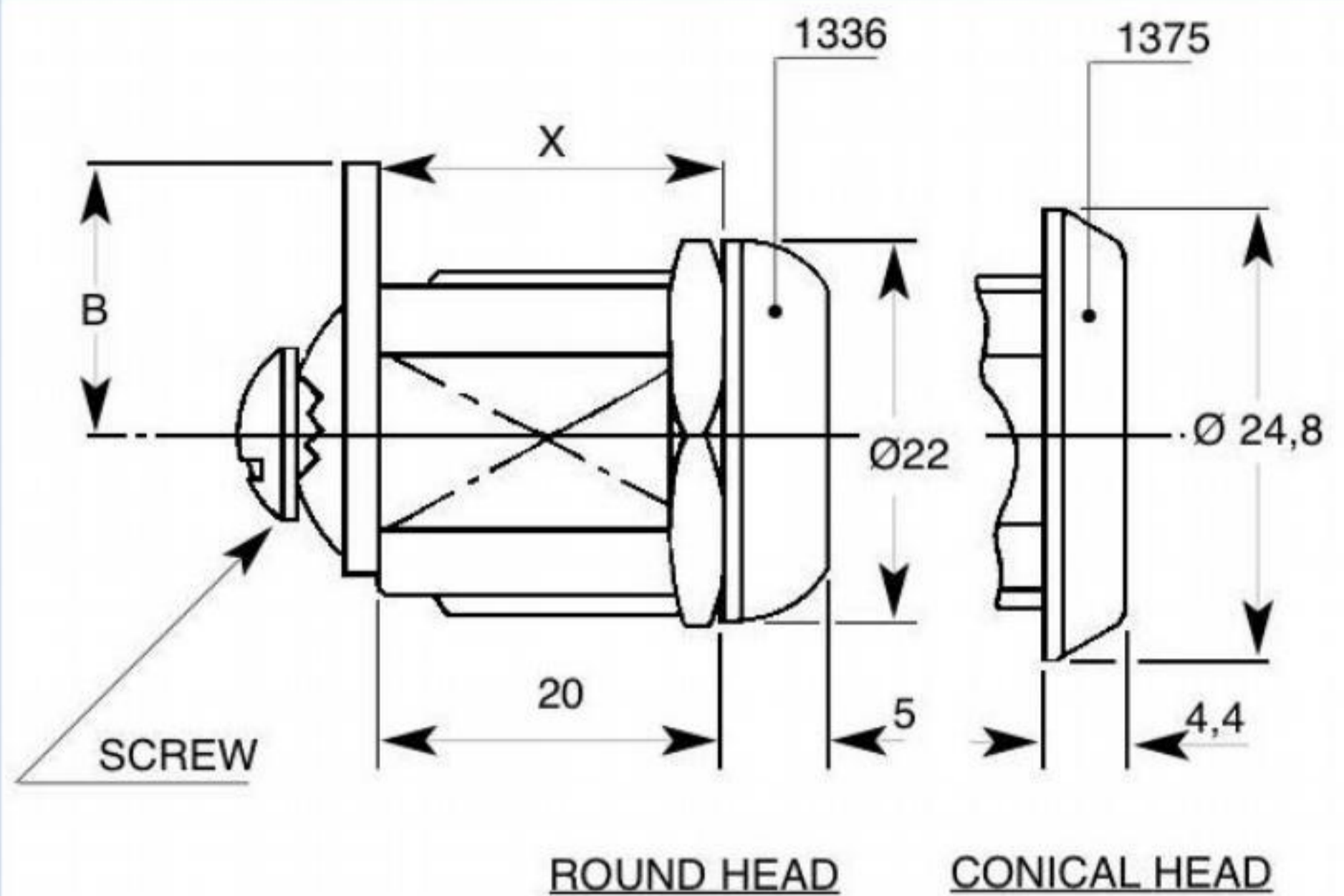




Buy on-line
at the FA Parkes
sales portal
the quickest
and most efficient
way to purchase
all your hardware
requirements; locks
handles, hinges
stays, gasketing
etc....

www.faparkes.co.uk
your one stop shop!



PRODUCT REFERENCE NUMBERS

KEY SERIES	COMBINATIONS	NUT FIXED HOUSING	HORSESHOE CLIP FIXING
92 M	200	1336 (1375)	1337 (1376)
FS	80	(2724)	
95-97 M	2000	1436 (1475)	1437 (1476)
93E M	500	(4775)	(4776)
9000 M	500	(F350)	
2000 M	2000	(3875) (3836)	(3876) (3837)

M = MASTER KEY SYSTEM: SUPPLIED TO ORDER ONLY

STANDARD MOVEMENTS: 1, 2, 3, 4, 5, 6, 7

1, 2, 3, 4, 8 (F350)

STANDARD FINISHES: BRIGHT CHROME

STAINLESS STEEL CAP

NICKEL

REF. No.s IN () REFER TO LOCKS WITH A CONICAL HEAD WHICH ARE AVAILABLE IN CHROME FINISH ONLY (F350 NICKEL ONLY).

F.A. Parkes (M.B.F) Limited
Unit 4, Acorn Court
Butts Street, Leigh
Lancashire WN7 3AE

Tel. 01942 681 996
sales@faparkes.co.uk