



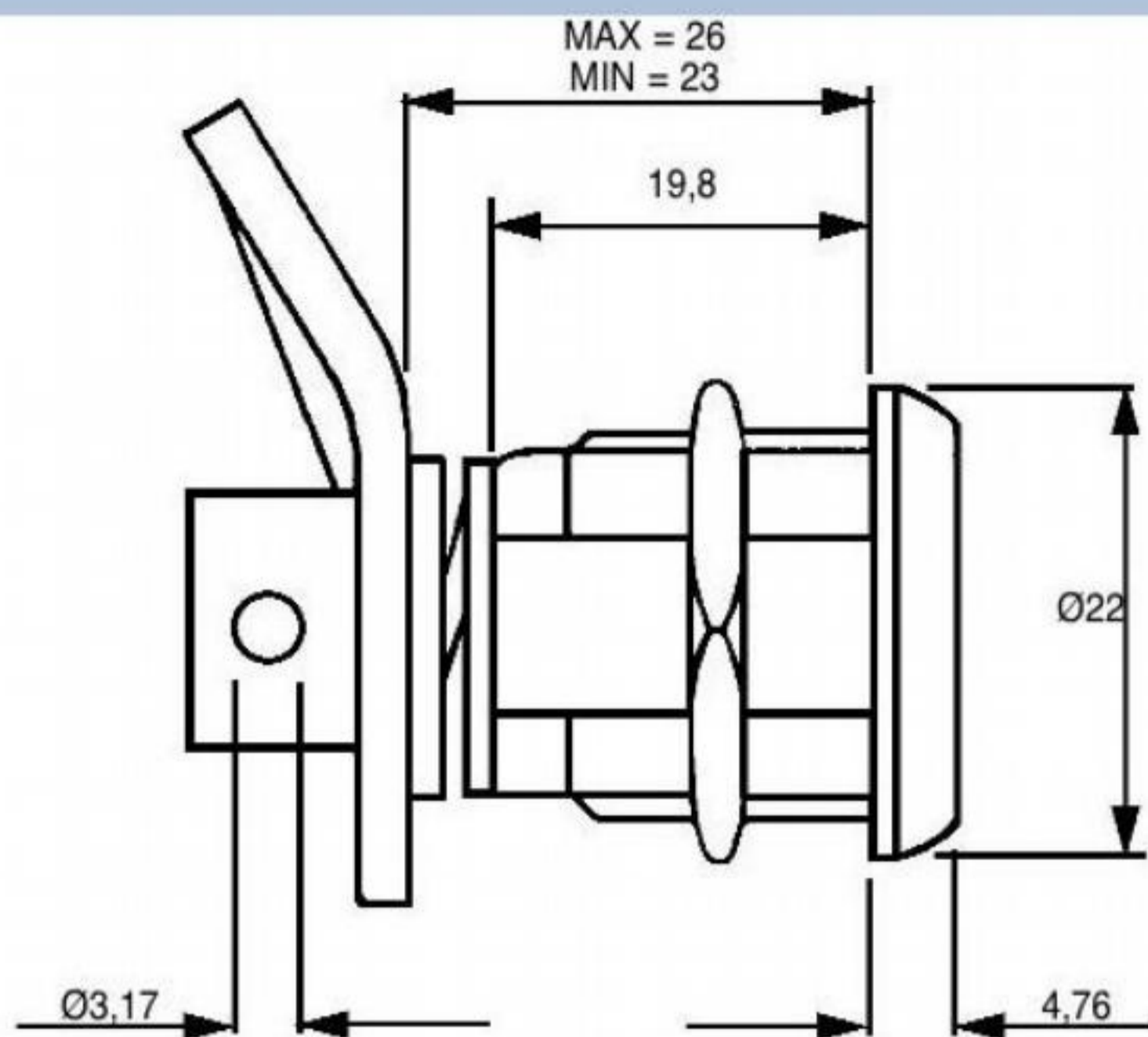
Buy on-line
at the FA Parkes
sales portal
the quickest
and most efficient
way to purchase
all your hardware
requirements; locks
handles, hinges
stays, gasketing
etc....

www.faparkes.co.uk
your one stop shop!



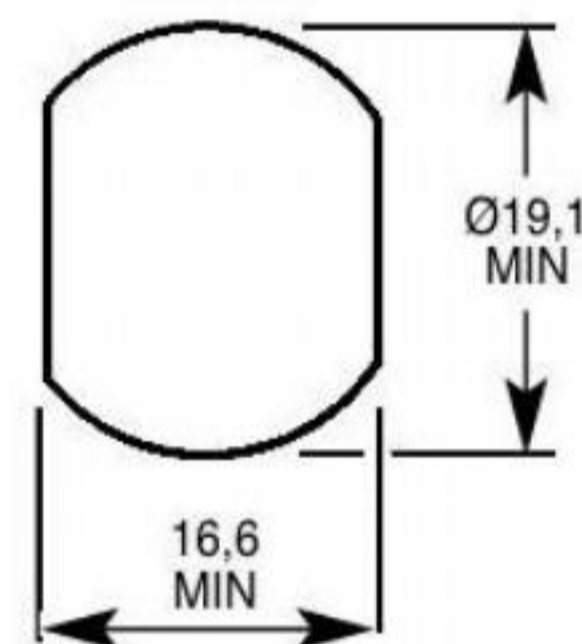
F.A. Parkes (M.B.F) Limited
Unit 4, Acorn Court
Butts Street, Leigh
Lancashire WN7 3AE

Tel. 01942 681 996
sales@faparkes.co.uk



CUSTOMERS CAN FIX CAM IN REQUIRED POSITION WITH A SPLIT PIN

ILLUSTRATION SHOWS
1301 FITTED WITH
CAULKING CAM 6523160



FIXING HOLE SIZE

PRODUCT REFERENCE NUMBERS

KEY SERIES	COMBINATIONS	NUT FIXED HOUSING
92 M	200	1301

M = MASTER KEY SYSTEM: SUPPLIED TO ORDER ONLY

STANDARD MOVEMENTS: 3, 4

**STANDARD FINISHES: BRIGHT CHROME
STAINLESS STEEL CAP**

FOR USE ON STEEL DOORS WITH RUBBER SEAL