



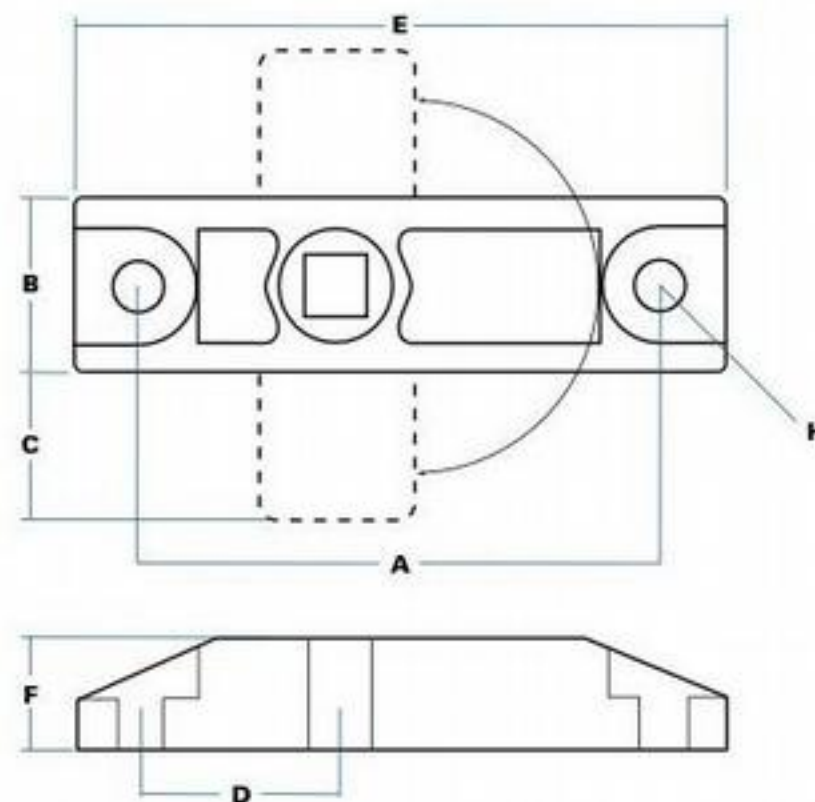
Buy on-line
at the FA Parkes
sales portal
the quickest
and most efficient
way to purchase
all your hardware
requirements; locks
handles, hinges
stays, gasketing
etc....

www.faparkes.co.uk
your one stop shop!



F.A. Parkes (M.B.F) Limited
Unit 4, Acorn Court
Butts Street, Leigh
Lancashire WN7 3AE

Tel. 01942 681 996
sales@faparkes.co.uk



9/01956 (set)
Budget latch & catch
plate, complete.



9/01957
(with shaft)

ORDERING CODE

9/01956 Moulded budget latch & striker

9/01957 As above, c/w shaft & pin

SPECIFICATION

A Hole Centres	66 mm
B Case Width	22 mm
C Bolt Projection	19 mm
D Location	33 mm
E Case Length	83 mm
F Thickness	14 mm
H Hole Size (diameter)	Ø 7 mm
J Shaft (when supplied)	10 mm

ORDERING CODE

9/01960 Moulded escutcheon cover

SPECIFICATION

A Length	40 mm
B Height (Max.)	8 mm
C Width	30 mm
D Diameter	16 mm
E Hole Centres	20 mm
F Hole Centres	18 mm
H Hole Sizes, (diameter)	4 mm c/s 6 mm



9/01960

