



Buy on-line
at the FA Parkes
sales portal
the quickest
and most efficient
way to purchase
all your hardware
requirements; locks
handles, hinges
stays, gasketing
etc....

www.faparkes.co.uk
your one stop shop!



9/01900
Locking Handle



**Double-sided 'FT' Keys are
fitted as standard**

ORDERING CODE

9/01900	Push-button handle, 'FT' locking
9/01900/01	Push-button handle, 'FT111' keys
9/01901	Push-button handle, non-locking

SPECIFICATION

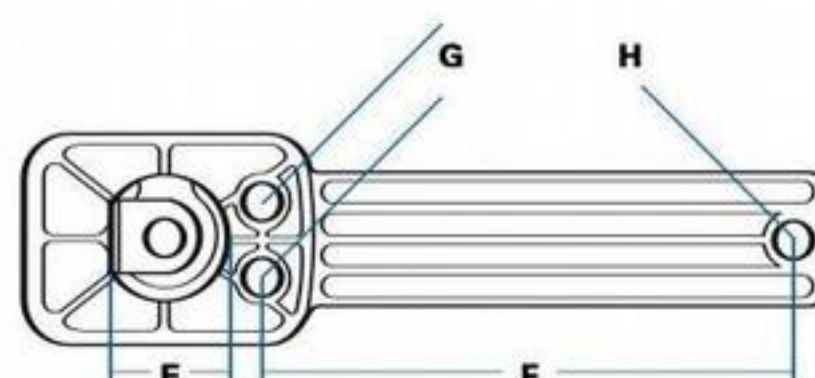
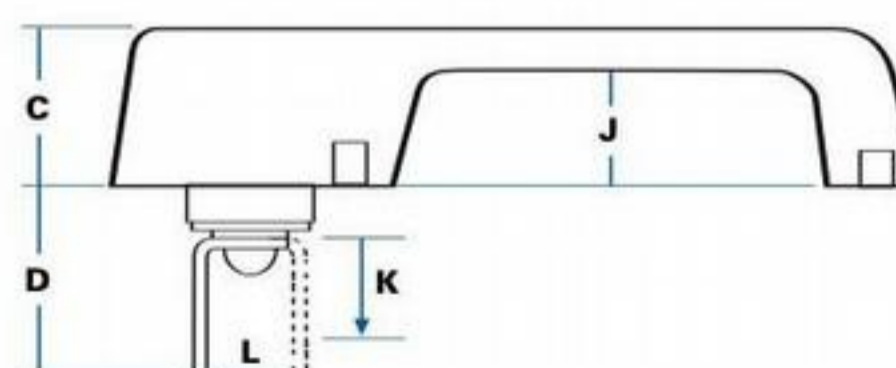
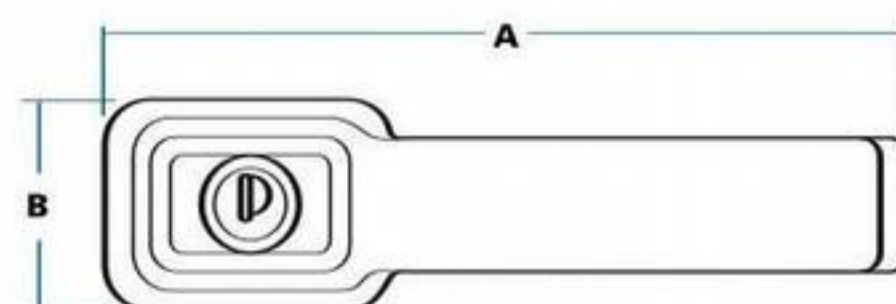
A Length	183 mm
B Width (max)	47 mm
C Height	36 mm
D Projection (rest)	32 mm
E Diameter	28 mm
F Hole centres	120 mm
G Hole centres	18 mm
H Holes	M6 x 10 mm
J Grip height	28 mm
K Travel (vertical)	14 mm
L Travel (locking)	22 mm

Materials

Handle moulding in 30% glass filled acetal copolymer. Button in zinc alloy diecast, chromium plated. Contactor in steel, yellow zinc plated.

Alternative Contactors:

See page A10 for latch-push dimensions and alternatives.



F.A. Parkes (M.B.F) Limited
Unit 4, Acorn Court
Butts Street, Leigh
Lancashire WN7 3AE

Tel. 01942 681 996
sales@faparkes.co.uk