



Buy on-line
at the FA Parkes
sales portal
the quickest
and most efficient
way to purchase
all your hardware
requirements; locks
handles, hinges
stays, gasketing
etc....

www.faparkes.co.uk
your one stop shop!



9/01573
Non-Locking



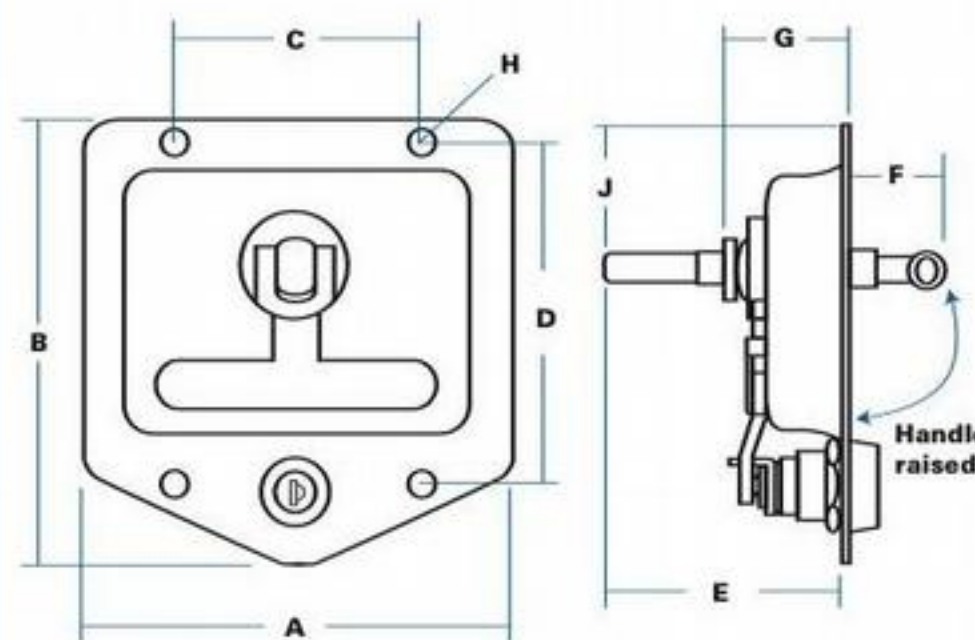
9/01571
Locking

ORDERING CODE

9/01571	Drop-T, locking, stainless steel
9/01571/01	As above, FS880
9/01572	Drop-T, locking, zinc-plated
9/01572/01	As above, FS880
9/01573	Drop-T, non-locking, stainless
9/01574	Drop-T, non-locking, zinc-plated

SPECIFICATION

A	Width of pan	120 mm
B	Length of pan	125 mm
C	Hole centres	69 mm
D	Hole centres	95 mm
E	Max depth	60 mm
F	Handle height	30 mm
G	Projection	30 mm
H	Hole sizes (dia)	7.5 mm
J	Location	40 mm



Non-locking versions

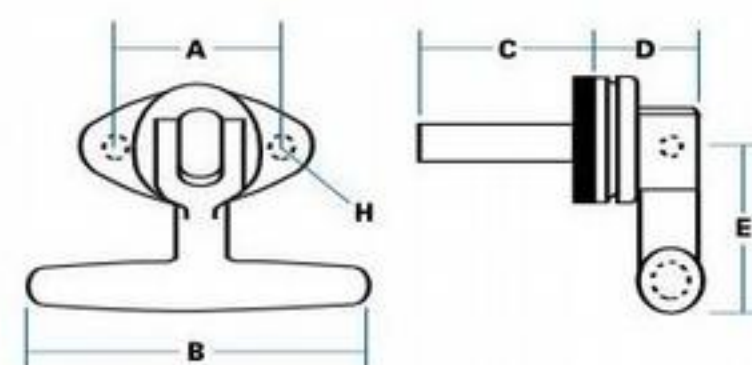
Pan size 102 x 120 mm
Hole centres C = 69 mm, D = 90 mm

9/01575



ORDERING CODE

9/01575	Drop-T handle, chromium plated
9/01576	Drop-T handle, bright-zinc plated



Spindle at 8 mm square, threaded M10 to special order. Rubber gaskets under 'cup' and escutcheon.

SPECIFICATION

A	Hole centres	38 mm
B	Width	80 mm
C	Depth	35 mm
D	Height	20 mm
E	Length	40 mm
H	Hole size (dia)	6 mm c/s 10 mm

F.A. Parkes (M.B.F) Limited
Unit 4, Acorn Court
Butts Street, Leigh
Lancashire WN7 3AE

Tel. 01942 681 996
sales@faparkes.co.uk