



Buy on-line  
at the FA Parkes  
sales portal  
the quickest  
and most efficient  
way to purchase  
all your hardware  
requirements; locks  
handles, hinges  
stays, gasketing  
etc....

[www.faparkes.co.uk](http://www.faparkes.co.uk)  
your one stop shop!

rods and guides

- Assembled and 'handed' on site
- Stainless steel or zinc-plated



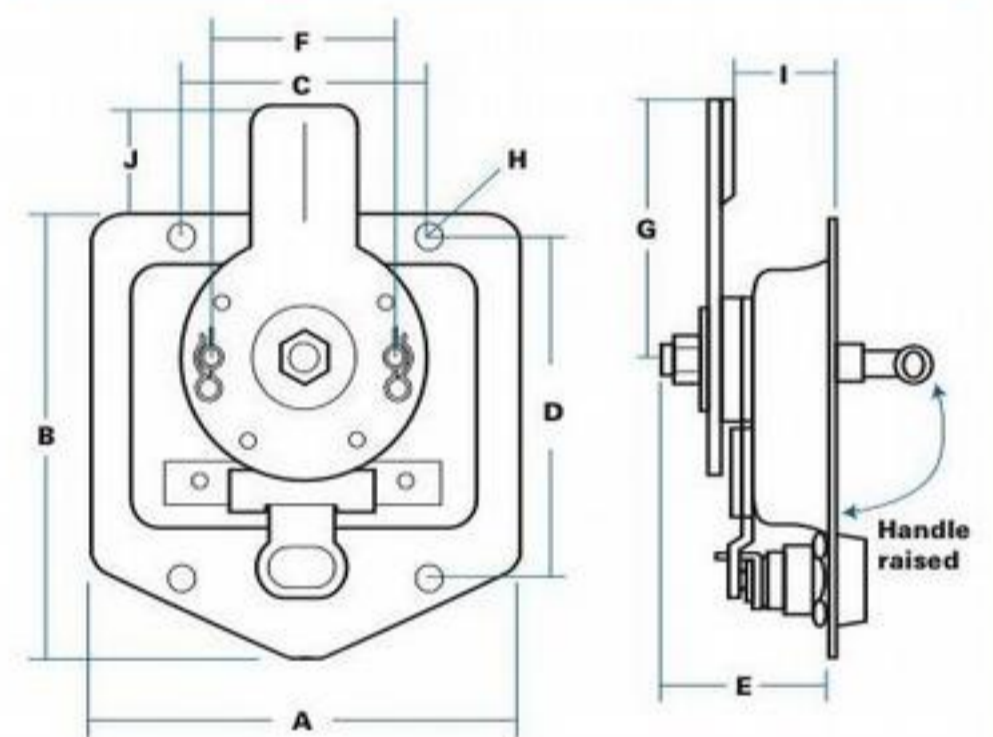
Single-sided 'FS'  
keys as standard

### ORDERING CODE

<b>9/01561</b>	3-way Drop-T set, stainless, mixed differ, c/w rods
<b>9/01561/01</b>	As 9/01561, FS880
<b>9/01562</b>	3-way Drop-T set, mild steel, mixed differ, c/w rods
<b>9/01562/01</b>	As 9/01562, FS880
<b>9/01567</b>	Centre only, 3-way Drop-T, stainless
<b>9/01567/01</b>	As 9/01567, FS880
<b>9/01568</b>	Centre only, 3-way Drop-T, mild steel
<b>9/01568/01</b>	As 9/01568, FS880

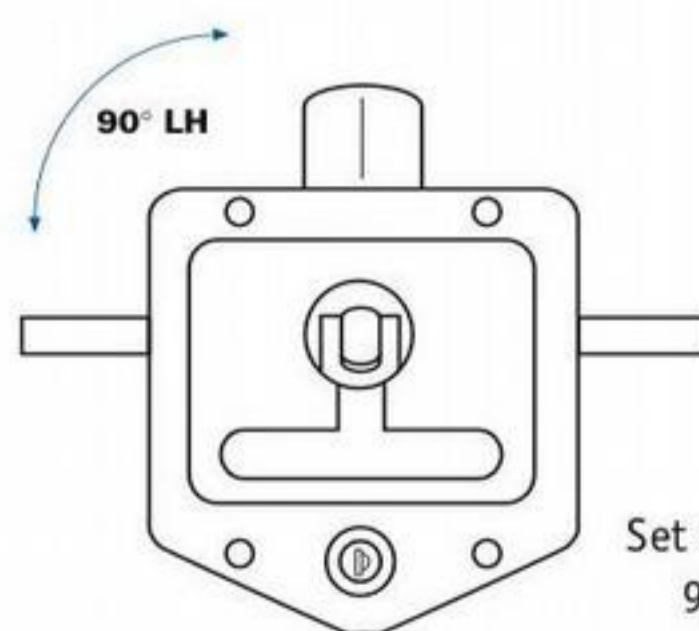
Non-Locking models shown opposite

### SPECIFICATION

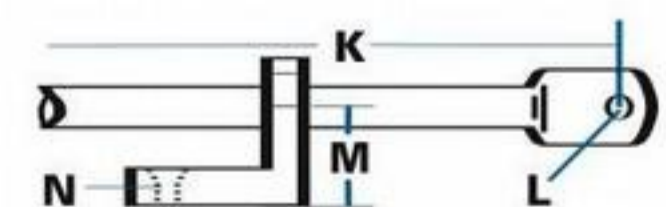
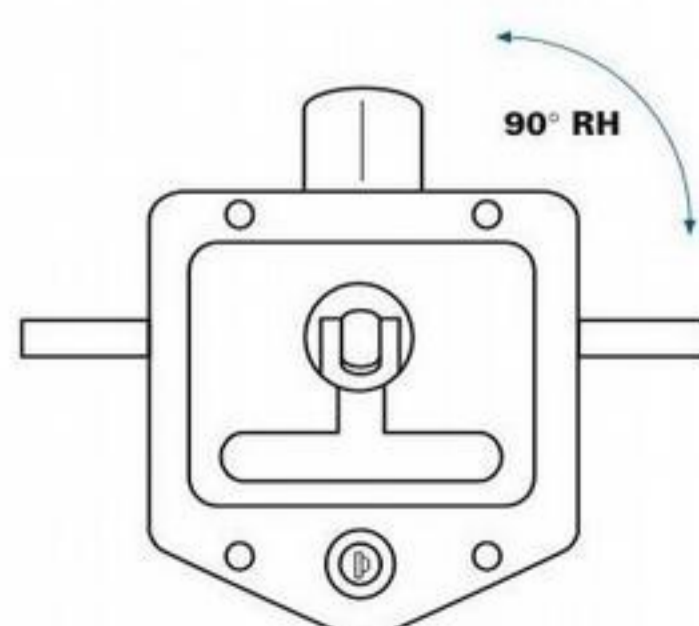


<b>A</b>	Width of pan	120 mm
<b>B</b>	Length of pan	125 mm
<b>C</b>	Hole centres	69 mm
<b>D</b>	Hole centres	95 mm
<b>E</b>	Max depth	45 mm
<b>F</b>	Rod fixing centre	52 mm
<b>G</b>	Length of latch Cam depth	70 mm 3 mm
<b>H</b>	Hole sizes (dia)	7.5 mm
<b>I</b>	Engagement	27 mm
<b>J</b>	Visible length	30 mm

### Direction of Movement



Set at factory for 90° LH but 'stops' are reversible on site



<b>K</b>	Rod length	1145 x 9.5 mm
<b>L</b>	Hole dimension	(dia) 7.5 mm
<b>M</b>	height to central line	14 mm
<b>N</b>	Hole sizes	(dia) 5mm c/s 10 mm

Rods withdraw by 25mm in line of travel, as latch disc rotates through 90°.  
Rod Ref (3/18702) Guides Ref (3/18716)

F.A. Parkes (M.B.F) Limited  
Unit 4, Acorn Court  
Butts Street, Leigh  
Lancashire WN7 3AE

Tel. 01942 681 996  
[sales@faparkes.co.uk](mailto:sales@faparkes.co.uk)