



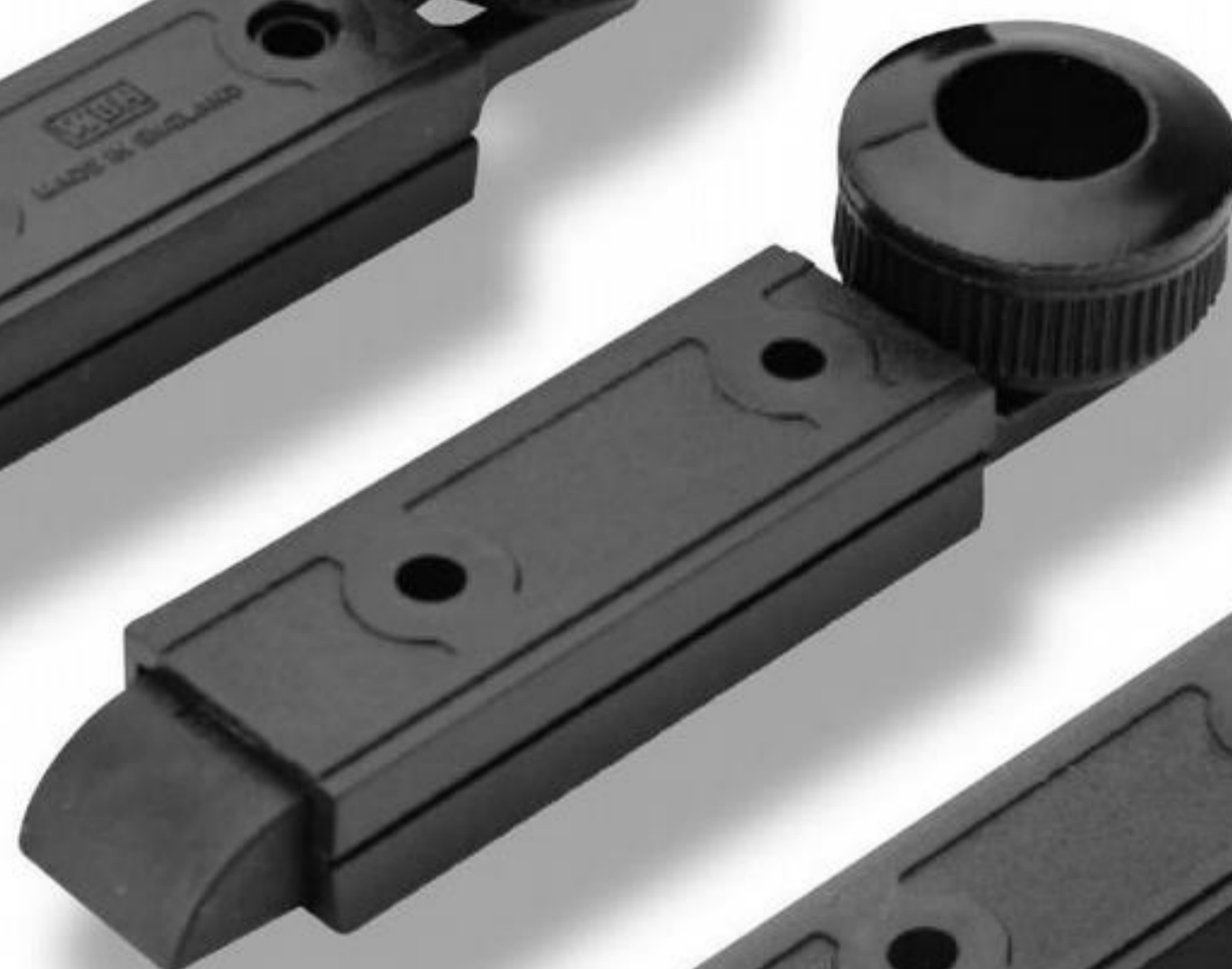
Buy on-line
at the FA Parkes
sales portal
the quickest
and most efficient
way to purchase
all your hardware
requirements; locks
handles, hinges
stays, gasketing
etc....

www.faparkes.co.uk
your one stop shop!

9/01528
'Nose-up' model



9/01529
'Nose-down' model



9/01530
Basic model

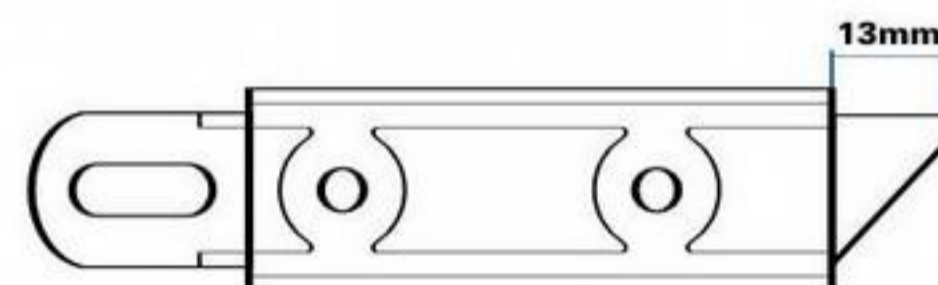


ORDERING CODE

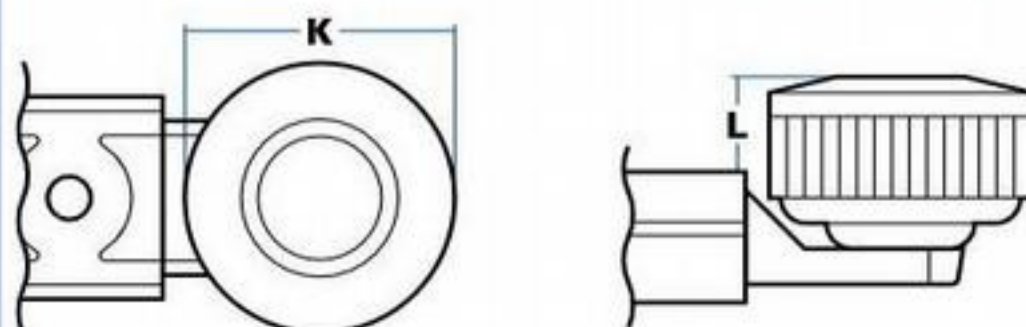
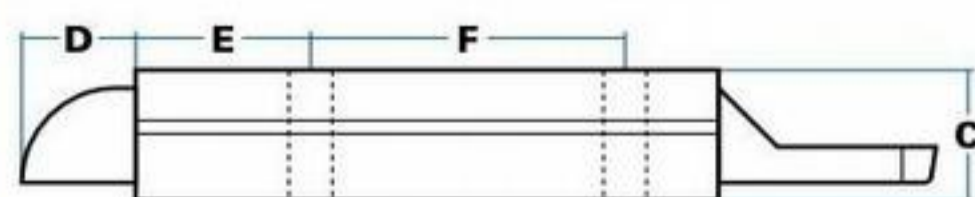
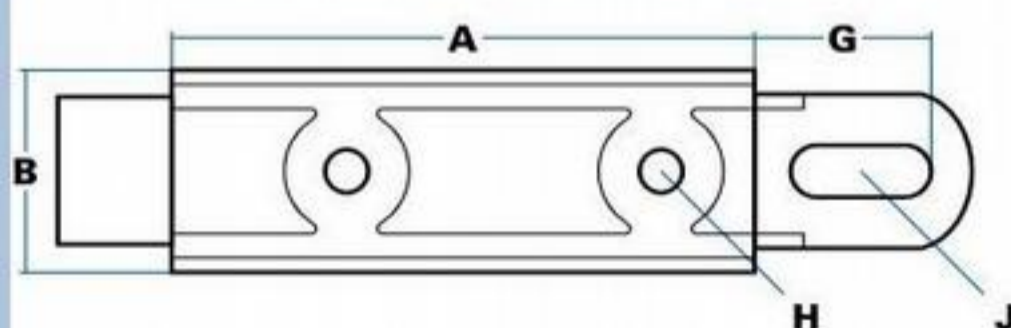
9/01528 Moulded slam latch, reversed knob

9/01529 Moulded slam latch, pull-knob fitment

9/01530 Moulded slam latch



Special model with side-action bolt,
suitable for roller shutters, etc.



SPECIFICATION

A Body Length	80 mm
B Body Width	29 mm
C Body Height	18 mm
D Bolt Projection	16 mm
E Location	23 mm
F Location	44 mm
G Location	25 mm
H Hole Diameter	Ø 6 mm
J Slot Dimension	7x20 mm
K Knob Diameter	Ø 38 mm
L Knob Height (max)	16 mm

Spring pressure: 6kg to full bolt withdrawal

Note: Knob & rivet can be supplied loose, for
assembly after latch is installed in panel.

F.A. Parkes (M.B.F) Limited
Unit 4, Acorn Court
Butts Street, Leigh
Lancashire WN7 3AE

Tel. 01942 681 996
sales@faparkes.co.uk