



Buy on-line
at the FA Parkes
sales portal
the quickest
and most efficient
way to purchase
all your hardware
requirements; locks
handles, hinges
stays, gasketing
etc....

www.faparkes.co.uk
your one stop shop!



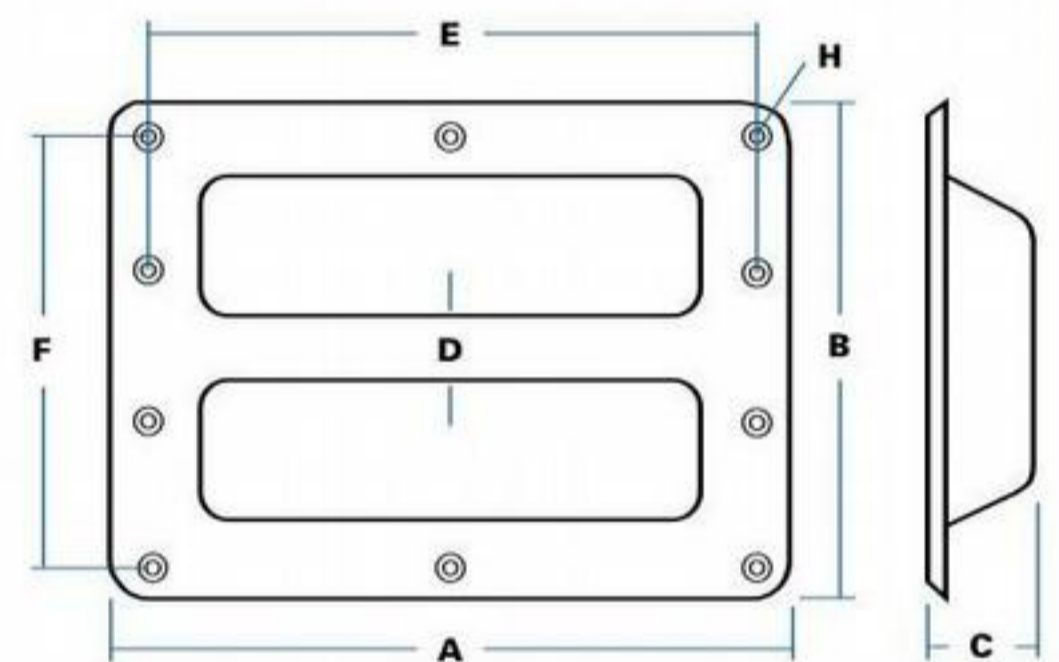
9/01389/01
Grab Handle

ORDERING CODE

9/01389/01 Flush-fit grab handle- black

SPECIFICATION

A Length	230 mm
B Width	170 mm
C Depth	30 mm
D Strap width	22 mm
E Hole centres	203 mm
F Hole centres	153 mm
H Hole sizes (diameter)	5 mm, 10 mm recess



Consult engineering drawing for details of hole positions. Frame in 2 mm galvanised steel.



9/01115
Grab Handle

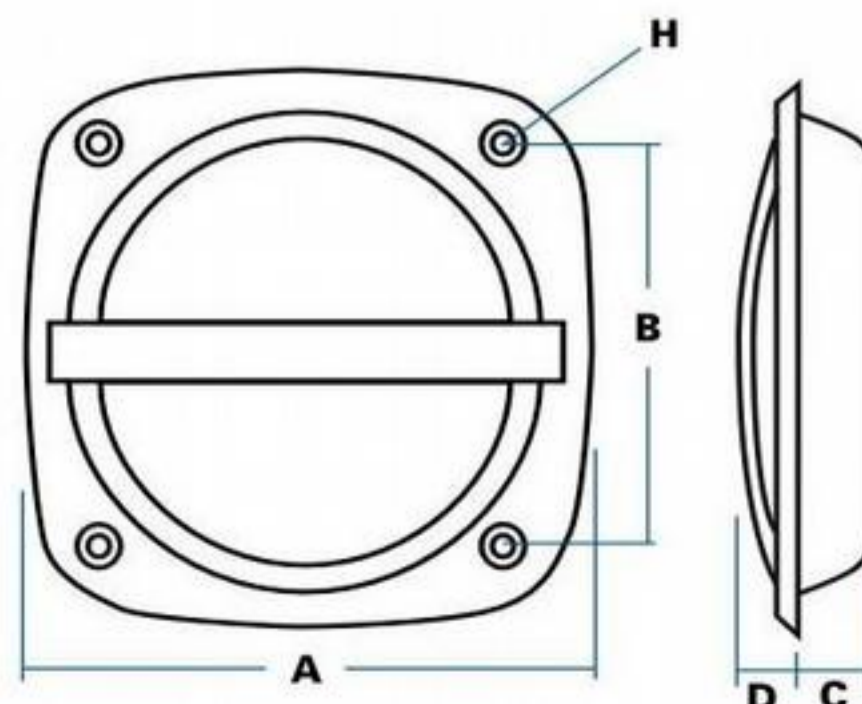
ORDERING CODE

9/01115 Semi-flush handle-black

5/00939 Moulded gasket

SPECIFICATION

A Width	125 mm
B Centres	90 mm
C Depth	16 mm
D Height	10 mm
H Holes (diameter)	5 mm, C/S 9 mm
Inside diameter of pan 105 mm. Edges are embossed	



F.A. Parkes (M.B.F) Limited
Unit 4, Acorn Court
Butts Street, Leigh
Lancashire WN7 3AE

Tel. 01942 681 996
sales@faparkes.co.uk