



Buy on-line
at the FA Parkes
sales portal
the quickest
and most efficient
way to purchase
all your hardware
requirements; locks
handles, hinges
stays, gasketing
etc....

www.faparkes.co.uk
your one stop shop!

9/01383 Catch in
'open' position



Catch in
'closed' position

9/01384 Double
loop striker

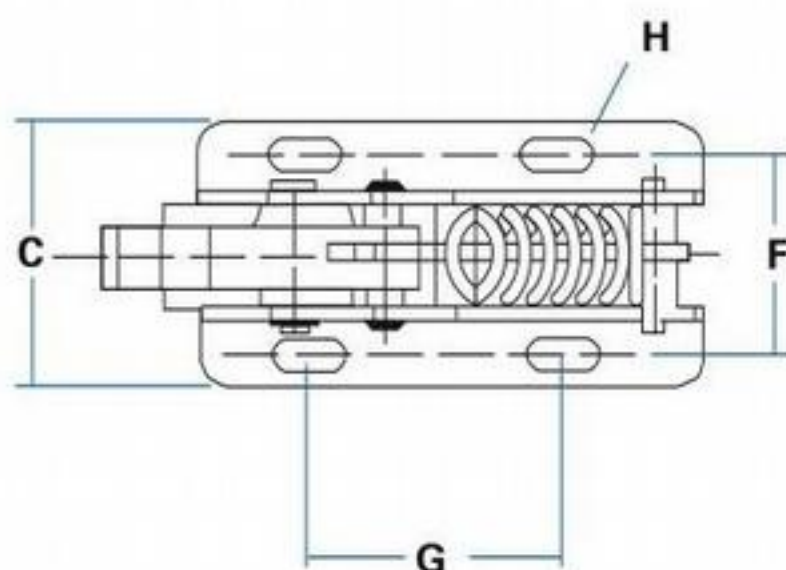
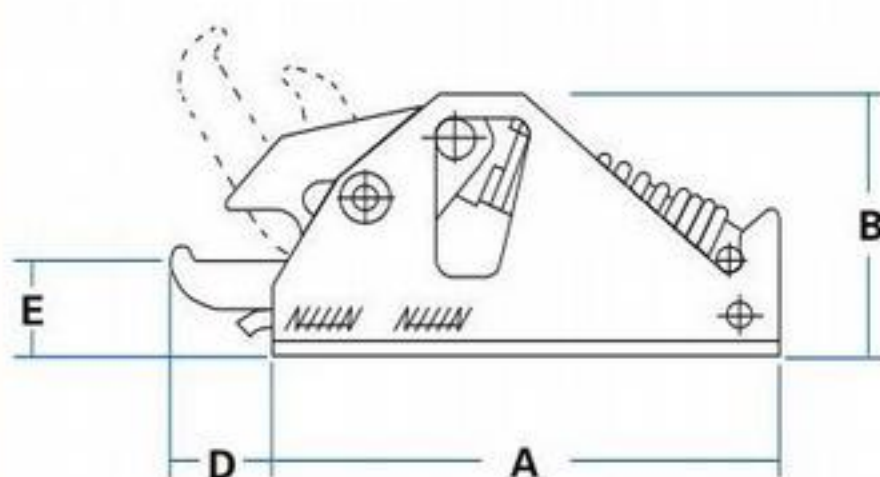
ORDERING CODE

- 9/01383** Hold-down catch
9/01384 Double loop striker

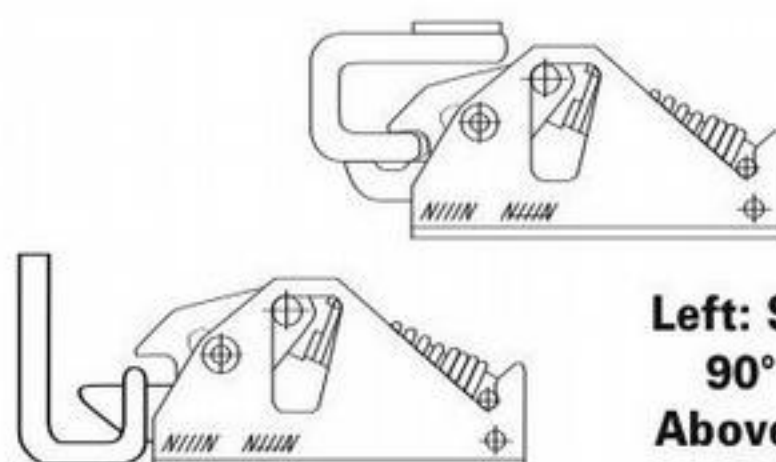
SPECIFICATION

A Case Length	110 mm
B Case Height	56 mm
C Case Width	58 mm
D Projection	21 mm
E 'Claw' Height	21 mm
F Hole Centres	44 mm
G Hole Centres	55 mm
H Hole Sizes	16.5 x 6 mm

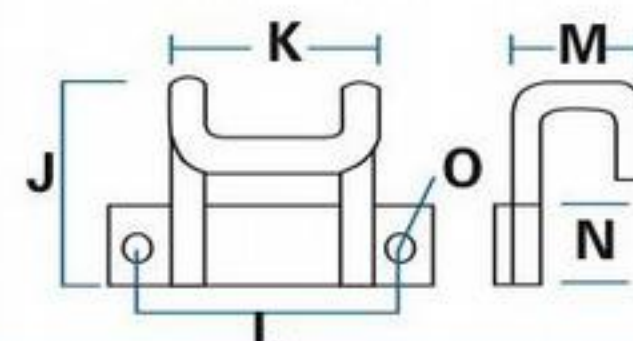
J Height Of Loop	60 mm
K Width Of Loop	50 mm
L Hole Centres	70 mm
M Projection	45 mm
N Plate Width	30 mm
O Hole Size	8 mm



The 'Double-loop' striker provides great freedom in the mounting positions of catch and striker.



Left: Striker is at
90° to catch
Above: Striker is
parallel with catch



F.A. Parkes (M.B.F) Limited
Unit 4, Acorn Court
Butts Street, Leigh
Lancashire WN7 3AE

Tel. 01942 681 996
sales@faparkes.co.uk