



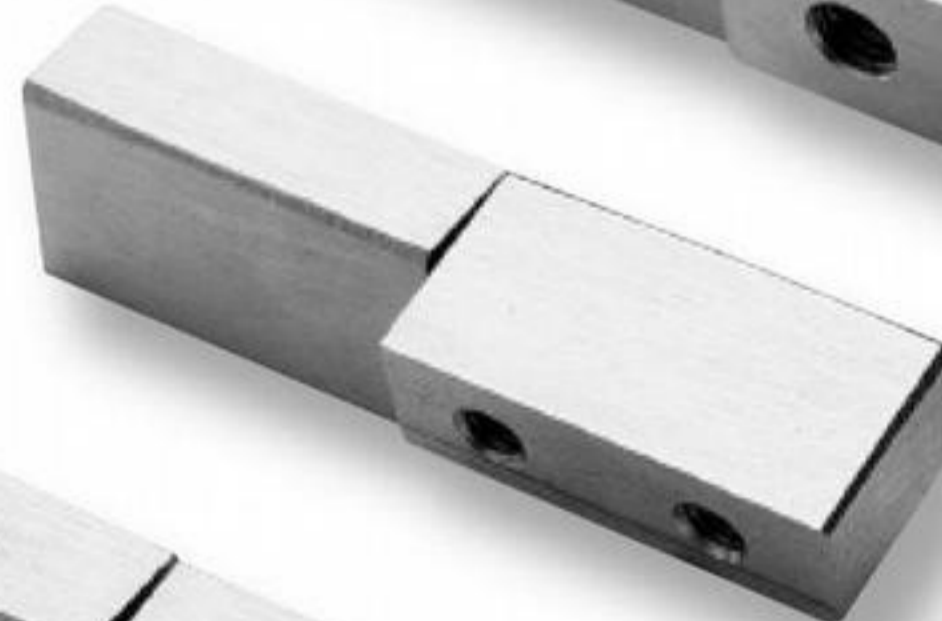
Buy on-line
at the FA Parkes
sales portal
the quickest
and most efficient
way to purchase
all your hardware
requirements; locks
handles, hinges
stays, gasketing
etc....

www.faparkes.co.uk
your one stop shop!

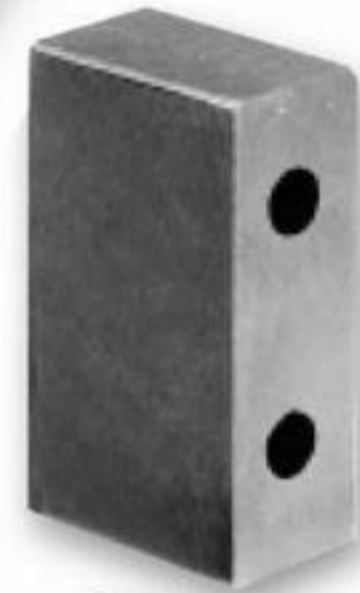
Large
(100 mm hinge)



Medium
(76mm hinge)



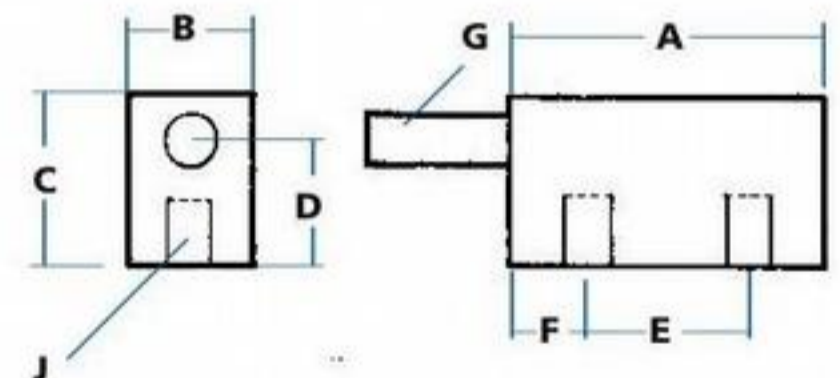
Small
(60mm hinge)



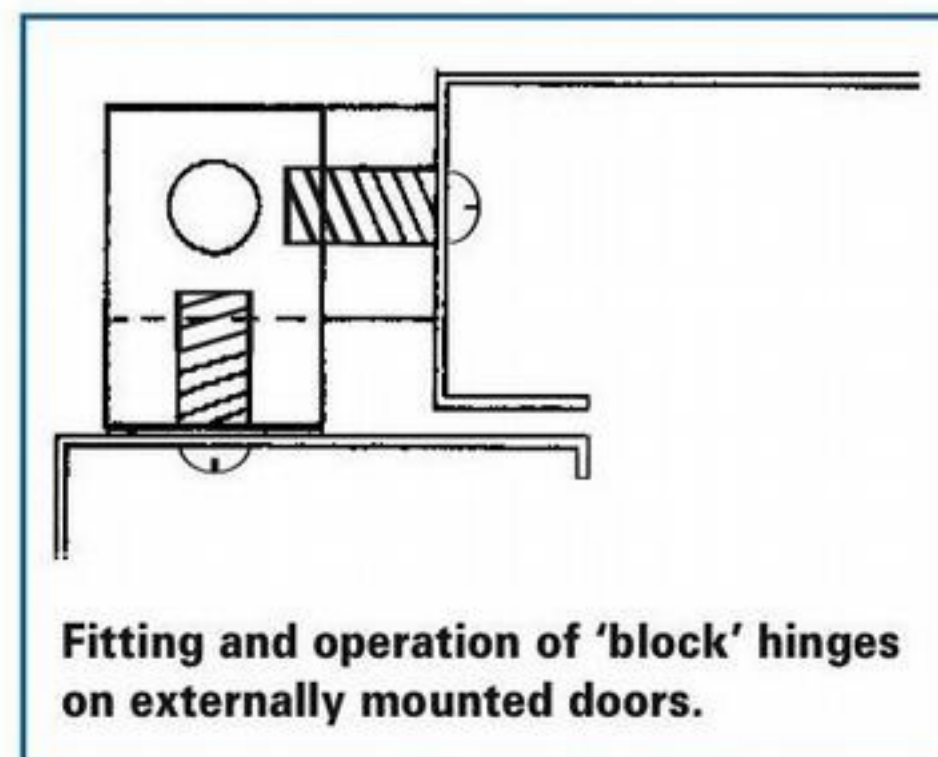
ORDERING CODE

- 9/01289** Stainless block hinge, 60 mm
- 9/01290** Stainless block hinge, 76 mm
- 9/01291** Stainless block hinge, 100 mm

SPECIFICATION



All corners have a radius and edges are chamfered.



	60 mm	76 mm	100 mm
A Length (half)	32 mm	38 mm	50 mm
B Width	13 mm	13 mm	18 mm
C Height	16 mm	19 mm	29 mm
D Height to pin	9.5 mm	13 mm	20 mm
E Location	16 mm	19 mm	25 mm
F Location	8 mm	9 mm	13 mm
G Pin diameter	6 mm	6 mm	8 mm
H Hole sizes	6 mm x M5	7.5 mm x M6	13 mm x M8

F.A. Parkes (M.B.F) Limited
Unit 4, Acorn Court
Butts Street, Leigh
Lancashire WN7 3AE

Tel. 01942 681 996
sales@faparkes.co.uk