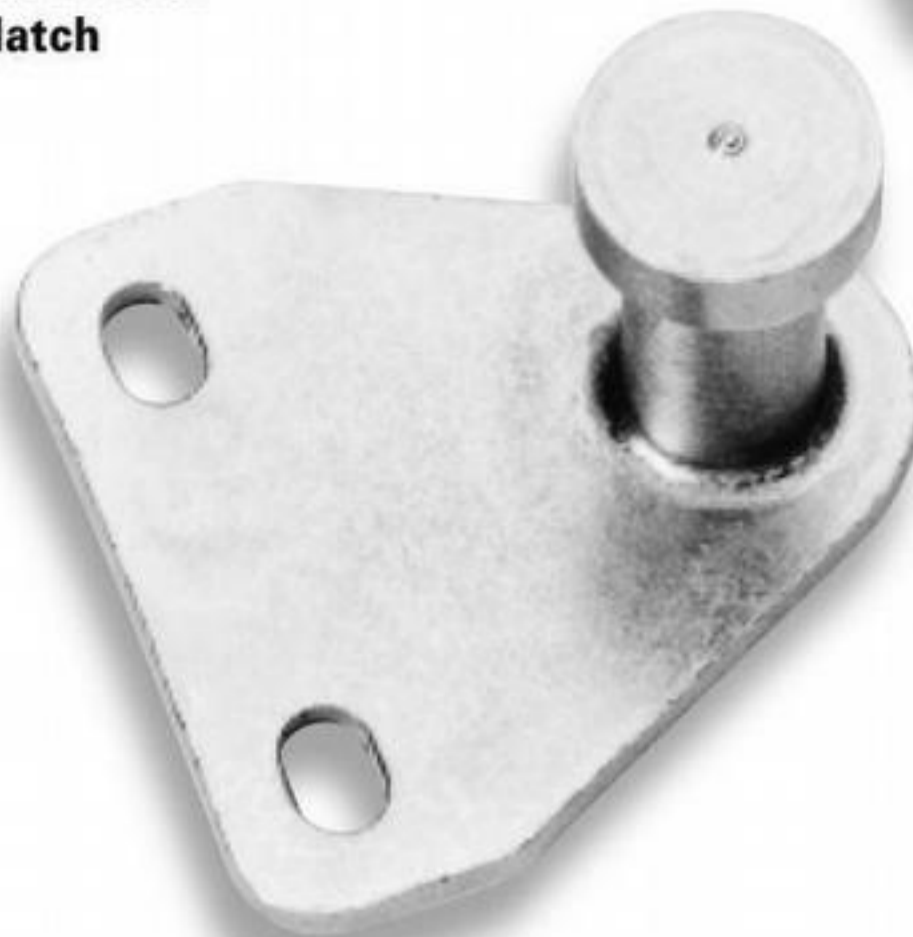




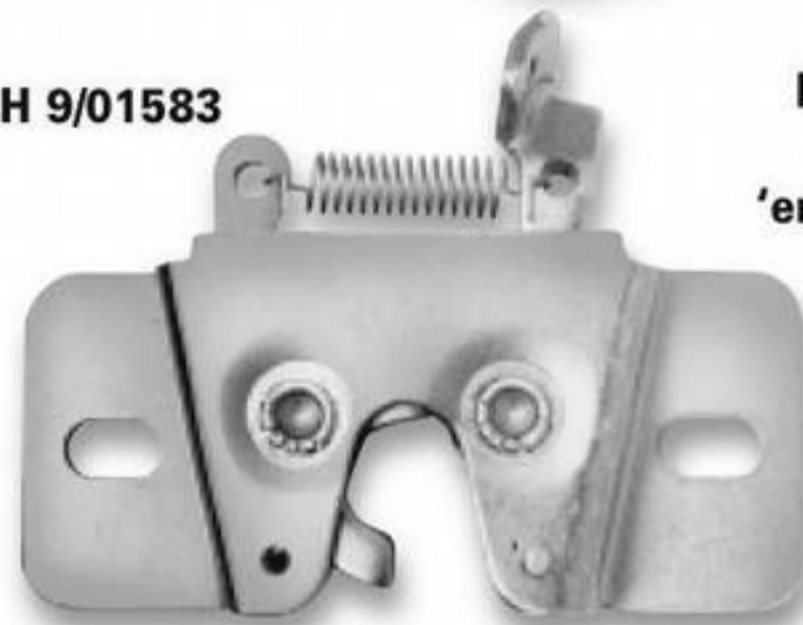
Buy on-line  
at the FA Parkes  
sales portal  
the quickest  
and most efficient  
way to purchase  
all your hardware  
requirements; locks  
handles, hinges  
stays, gasketing  
etc....

[www.faparkes.co.uk](http://www.faparkes.co.uk)  
your one stop shop!

9/00724 Striker,  
normally used with  
this latch

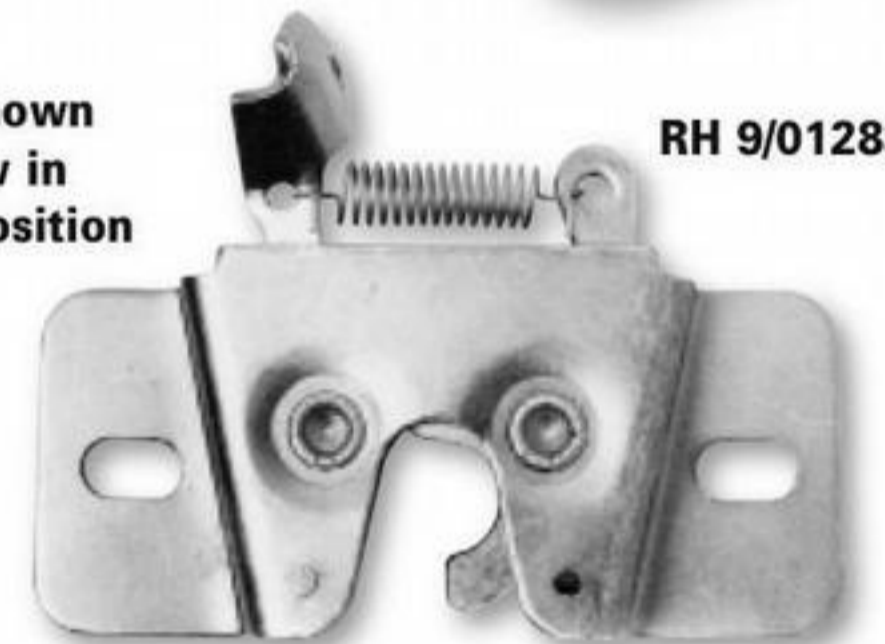


LH 9/01583



Latches shown  
with claw in  
'engaged' position

RH 9/01283



### ORDERING CODE

<b>9/01283</b>	Claw latch RH, side-mount
<b>9/01583</b>	Claw latch LH, side-mount
<b>9/00095</b>	Loop-type striker
<b>9/00724</b>	Pin-striker, 52 mm
<b>9/01246</b>	Pin-striker, 23 mm

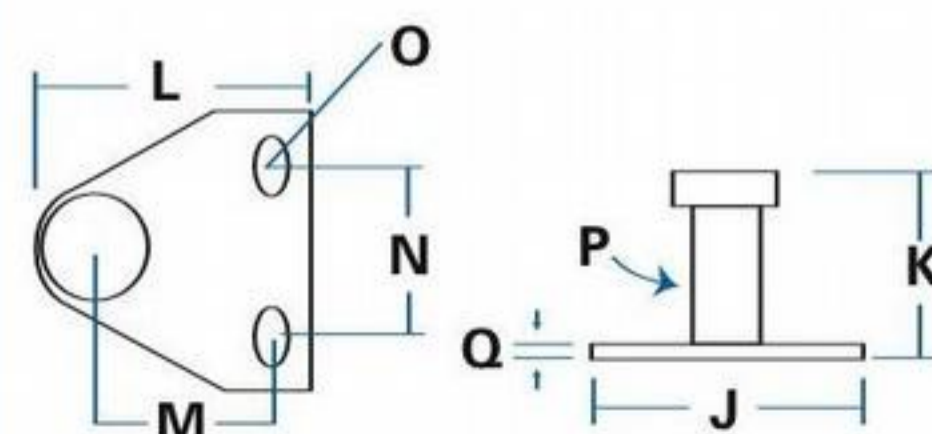
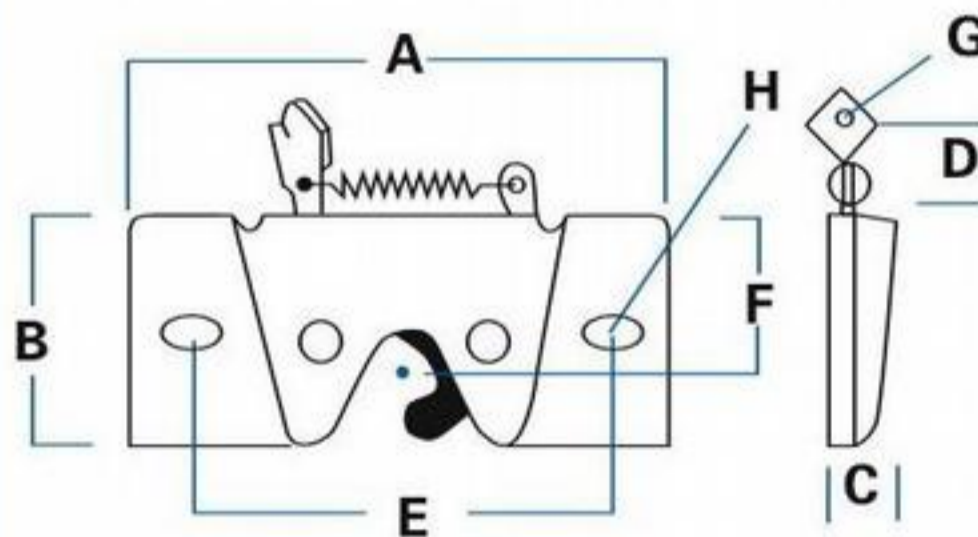
### SPECIFICATION

<b>A</b> Length	100 mm
<b>B</b> Height	50 mm
<b>C</b> Width	19 mm
<b>D</b> Location	21 mm
<b>E</b> Hole Centres	76 mm
<b>F</b> Location	30 mm
<b>G</b> Hole Size (diameter)	3 mm
<b>H</b> Hole Sizes	6.5 x 12 mm

Maximum force on trigger to release: 2.5kg

<b>J</b> Width	51 mm
<b>K</b> Height	35 mm
<b>L</b> Length	51 mm
<b>M</b> Location	32 mm
<b>N</b> Hole Centres	32 mm
<b>O</b> Hole Sizes	5.5 x 9 mm
<b>P</b> Pin diameter	12.5 mm
<b>Q</b> Thickness	3 mm

An alternative striker, 9/01246, has K=23mm.  
Striker pins are staked and brazed, hardened and plated.



F.A. Parkes (M.B.F) Limited  
Unit 4, Acorn Court  
Butts Street, Leigh  
Lancashire WN7 3AE

Tel. 01942 681 996  
[sales@faparkes.co.uk](mailto:sales@faparkes.co.uk)