



Buy on-line  
at the FA Parkes  
sales portal  
the quickest  
and most efficient  
way to purchase  
all your hardware  
requirements; locks  
handles, hinges  
stays, gasketing  
etc....

[www.faparkes.co.uk](http://www.faparkes.co.uk)  
your one stop shop!

9/00143  
Non-locking small 'T'  
38mm concealed  
fixing

'FT' Keys  
Optional



Single-sided 'FS'  
keys are standard



9/00140  
locking 'small T'  
38mm open fixing

### ORDERING CODE

With 38 mm open-fixing

9/00140	Small 'T', locking, chrome
9/00140/01	As above, FS 880
9/00141	Small 'T', non-locking, chrome

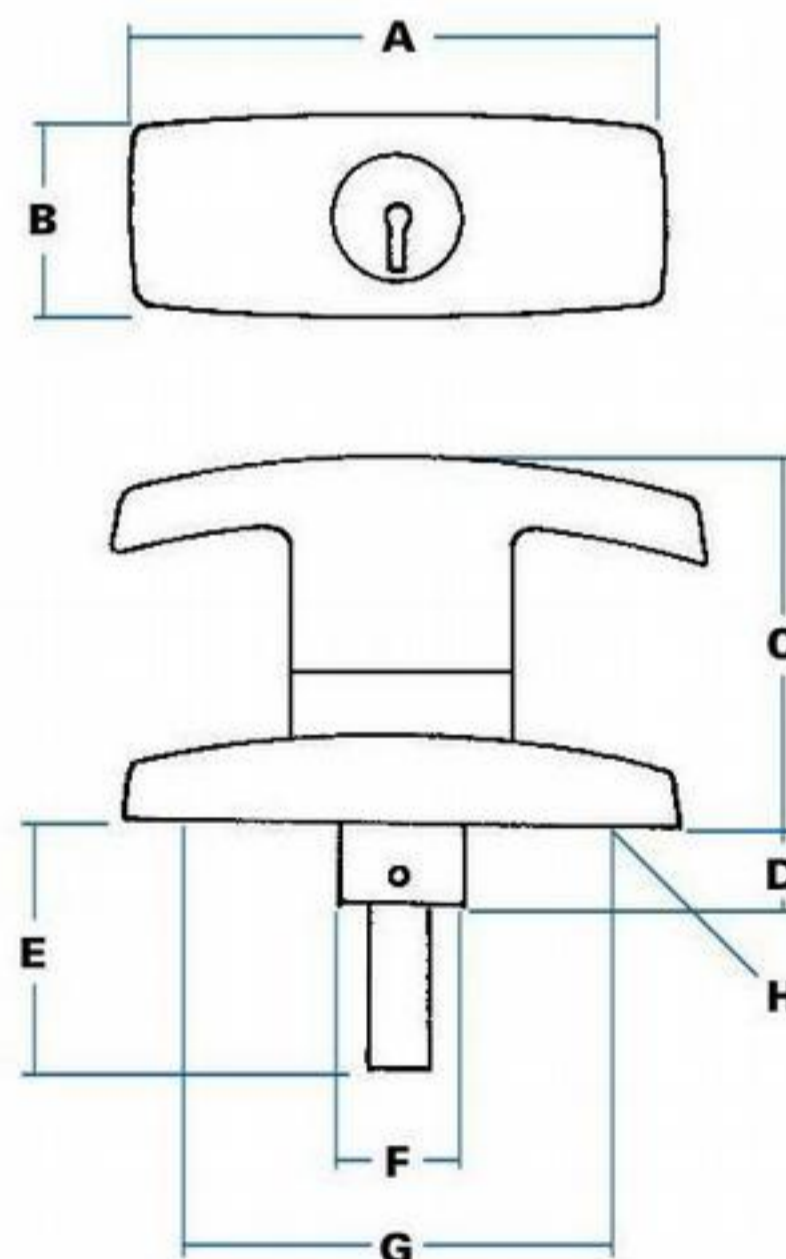
With 38 mm concealed-fixing

9/00142	Small 'T', locking, chrome
9/00142/01	As above, FS 880
9/00143	Small 'T', non-locking, chrome

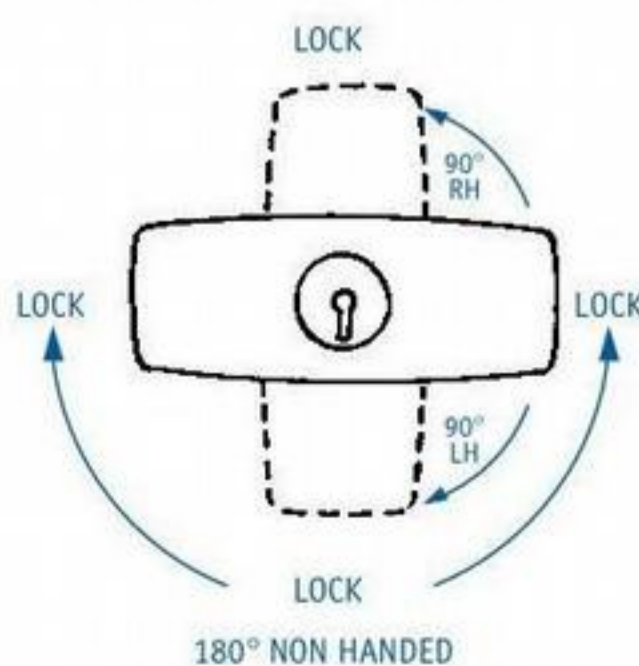
With 44 mm open-fixing

9/00240	Small 'T', locking, chrome
9/00240/01	As above, FS 880
9/00241	Small 'T', non-locking, chrome

### SPECIFICATION



### ROTATION OF HANDLES



Handles operate through 180° as standard (non-handed). To special order, rotation can be limited to 90° LH (clockwise) or 90° RH (anticlockwise). Handles will lock at each 90° position.

<b>A</b>	Handle length	65 mm
<b>B</b>	Mounting width	33 mm
<b>C</b>	Face height	42 mm
<b>D</b>	Depth of handle boss	10 mm
<b>E</b>	Shaft length	125 mm
<b>F</b>	Diameter of boss	14 mm
<b>G</b>	Hole centres	38/44 mm
<b>H</b>	Hole sizes (open) dia.	5 mm, c/s 9 mm

F.A. Parkes (M.B.F) Limited  
Unit 4, Acorn Court  
Butts Street, Leigh  
Lancashire WN7 3AE

Tel. 01942 681 996  
[sales@faparkes.co.uk](mailto:sales@faparkes.co.uk)