



Buy on-line
at the FA Parkes
sales portal
the quickest
and most efficient
way to purchase
all your hardware
requirements; locks
handles, hinges
stays, gasketting
etc....

www.faparkes.co.uk
your one stop shop!

'FT' Keys
Optional



Single-sided 'FS'
keys are standard



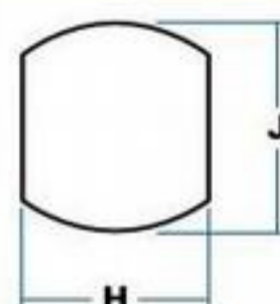
9/00935
'Compact'
Handle

ORDERING CODE

9/00935	Compact, chrome, 90° LH
9/00935/01	As above, FS 880 keys
9/00936	Compact, chrome, 90° RH
9/00936/01	As above, FS 880 keys
9/00937	Compact, chrome, 180°
9/00937/01	As above, FS 880 keys

Panel-piercing detail

This larger aperture also
suits our 'easy-fix' range
of 'L' & 'T' handles

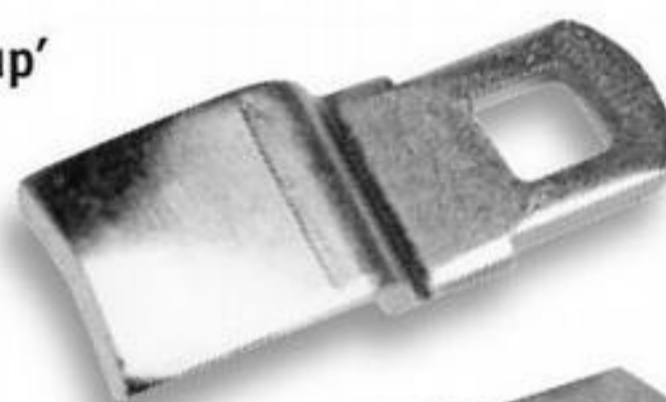


H	Piercing across flats	22 mm
J	Piercing, diameter	24 mm

Latch-bar options

Straight bar is fitted as standard

5/00276
Cranked 'up'
9.5mm



5/00275
'straight'

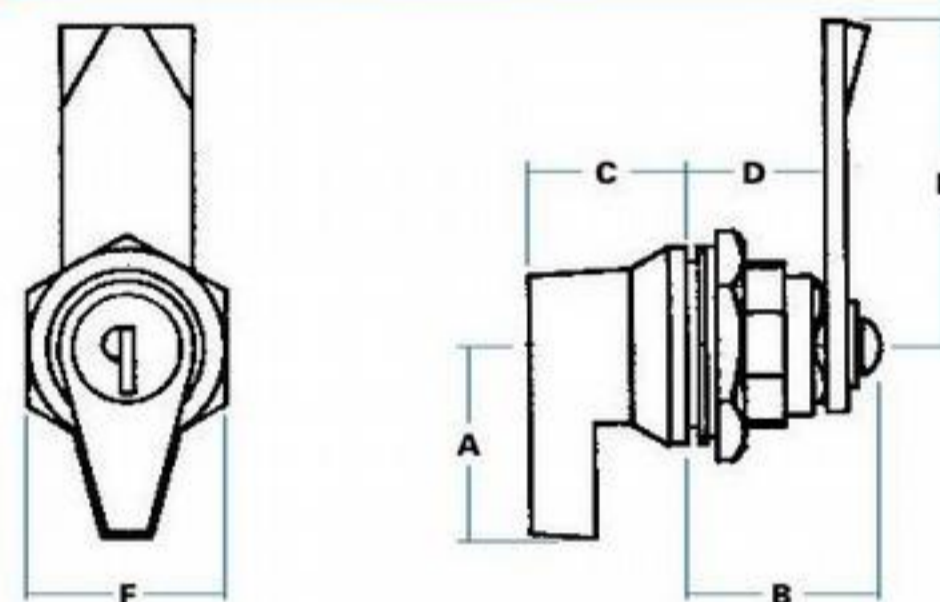


5/00097
Cranked 'down'
9.5mm



Straight latch bar is fitted as standard, with
two options cranked 9.5 mm 'up' or 'down'.
Lock will accept all other bars with 8 mm
piercing, including 2/3-point options.

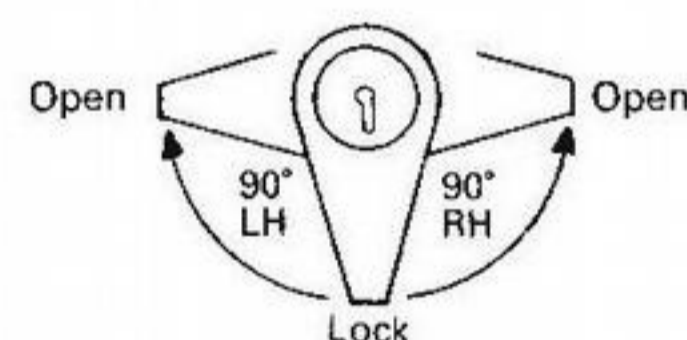
SPECIFICATION



A	Face length	40 mm
B	Body depth	29 mm
C	Face height	25 mm
D	Depth to latch	19 mm
E	Height of latch	48 mm
F	Face width	30 mm

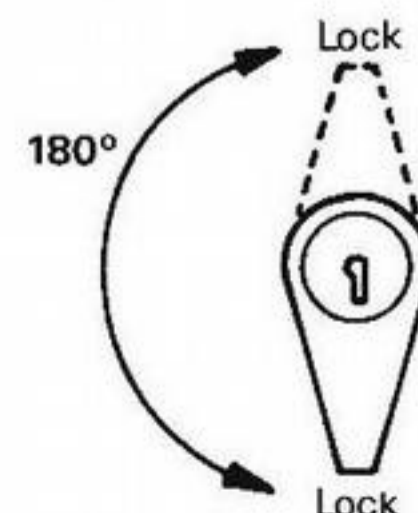
Latch bar can be fitted at 90° intervals

90° LH/RH MOVEMENT



Handles operate LH (clockwise) or RH
(anticlockwise) but lock in
vertical position only. Key does not withdraw
in 'open' position.

180° MOVEMENT



Handles are non-handed and lock in both
vertical positions, when key can be withdrawn.

F.A. Parkes (M.B.F) Limited
Unit 4, Acorn Court
Butts Street, Leigh
Lancashire WN7 3AE

Tel. 01942 681 996
sales@faparkes.co.uk