



Buy on-line
at the FA Parkes
sales portal
the quickest
and most efficient
way to purchase
all your hardware
requirements; locks
handles, hinges
stays, gasketing
etc....

www.faparkes.co.uk
your one stop shop!



9/00874
Centre fix
handle

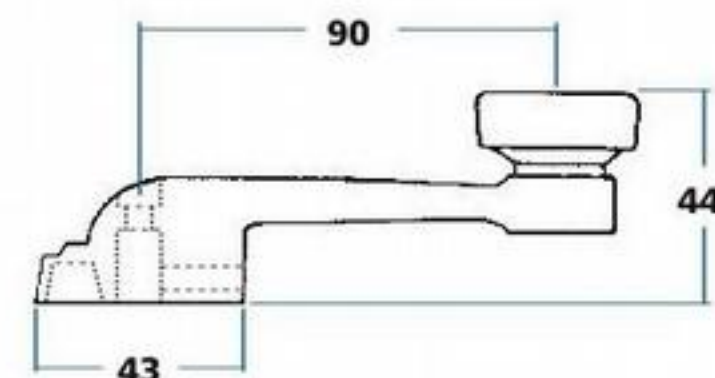


9/00875
Concealed
fix handle

Grub screw
(2BA) supplied

ORDERING CODE

9/00874	Centre-screw handle, chrome
9/00874B	Centre-screw handle, black
9/00875	Concealed-fix handle, chrome
9/00875B	Concealed-fix handle, black



Core is 9.5mm square, in-line with axis



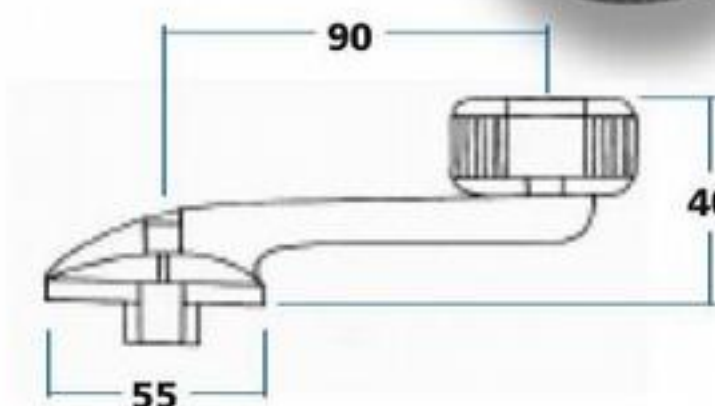
9/00625
(knob diameter
is 35mm)



9/00225
(large, knurled
knob, 40mm
dia.)

ORDERING CODE

9/00225	Window handle, chrome, large knob
9/00225B	Window handle, black, large knob
9/00625	Window handle, chrome, small knob
9/00625B	Window handle, black, small knob



Core is 9.5mm square, at 45° to axis



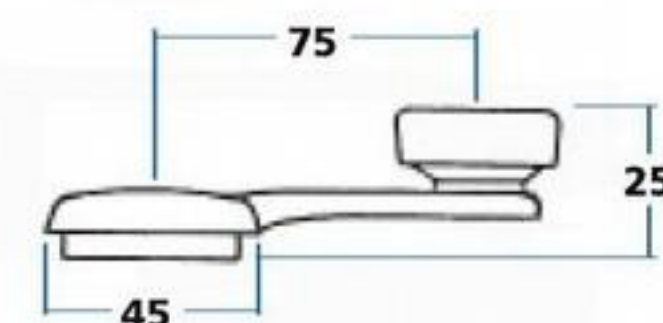
1/24425
Handle with
'hexagon' form



9/01701
Handle with
'male' spline form

ORDERING CODE

1/24425	Window handle, chrome, hex
1/24425B	Window handle, black, hex
9/01701	Window handle, chrome, spline
9/01701B	Window handle, black, spline



Top recess 6mm diameter x 10mm deep

F.A. Parkes (M.B.F) Limited
Unit 4, Acorn Court
Butts Street, Leigh
Lancashire WN7 3AE

Tel. 01942 681 996
sales@faparkes.co.uk