



Buy on-line  
at the FA Parkes  
sales portal  
the quickest  
and most efficient  
way to purchase  
all your hardware  
requirements; locks  
handles, hinges  
stays, gasketing  
etc....

[www.faparkes.co.uk](http://www.faparkes.co.uk)  
your one stop shop!



9/00448 (locking)



Single-sided  
'FS' keys  
are standard

9/00406  
Striker  
(stainless)



### ORDERING CODE

Mild steel models, with plain rim & gasket

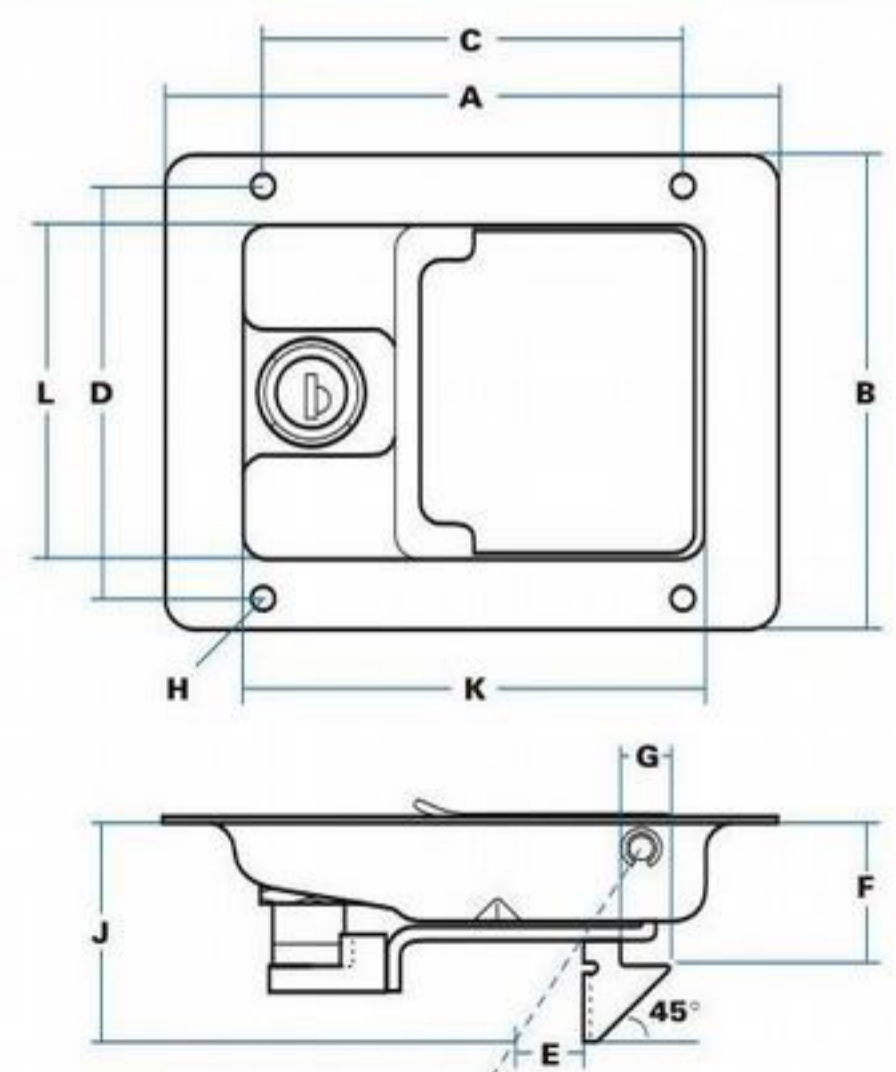
9/00440	Hook-latch paddle, locking
9/00440B	As above, black
9/00440/01	As 9/00440, FS880 standard keys
9/00440B/01	As above, black
9/00441	Hook-latch paddle, non-locking
9/00441B	As above, black

Stainless models with pierced rim (& gasket)

9/00448	Hook-latch paddle, locking
9/00448/01	As 9/00448, FS880 standard keys
9/00449	Hook-latch paddle, non-locking

9/00406	Loop striker (stainless steel)
---------	--------------------------------

### SPECIFICATION



<b>A</b>	Case length	140 mm
<b>B</b>	Case width	108 mm
<b>C</b>	Hole centres	95 mm
<b>D</b>	Hole centres	94 mm
<b>E</b>	Max travel	16 mm
<b>F</b>	Hook penetration	36 mm
<b>G</b>	Hook engagement	12 mm
<b>H</b>	Hole sizes (dia)	5 mm
<b>J</b>	Maximum depth	56 mm
<b>K</b>	Recess length	105 mm
<b>L</b>	Recess width	76 mm

#### Panel-piercing

See page C10 for details of panel cut-out required

F.A. Parkes (M.B.F) Limited  
Unit 4, Acorn Court  
Butts Street, Leigh  
Lancashire WN7 3AE

Tel. 01942 681 996  
[sales@faparkes.co.uk](mailto:sales@faparkes.co.uk)