



Buy on-line
at the FA Parkes
sales portal
the quickest
and most efficient
way to purchase
all your hardware
requirements; locks
handles, hinges
stays, gasketing
etc....

www.faparkes.co.uk
your one stop shop!



9/00439
2-way full set
(using stainless centre
case, 9/00438, standard
end latches and links).

Single-sided 'FS'
keys are standard

ORDERING CODE

Stainless models with pierced rim (& gasket)

9/00438	2-way paddle centre, locking
9/00438/01	2-way paddle centre, FS 880
9/00439	2-way paddle system, locking
9/00439/01	2-way paddle system, FS 880
9/00417	2-way paddle centre, non-locking
9/00437	2-way paddle system, non-locking

Mild Steel models with plain rim, (& gasket)

9/00409	2-way paddle centre, locking
9/00409/01	2-way paddle centre, FS 880
9/00429	2-way paddle system, locking
9/00429/01	2-way paddle system, FS 880
9/00416	2-way paddle centre, non-locking
9/00436	2-way paddle system, non-locking

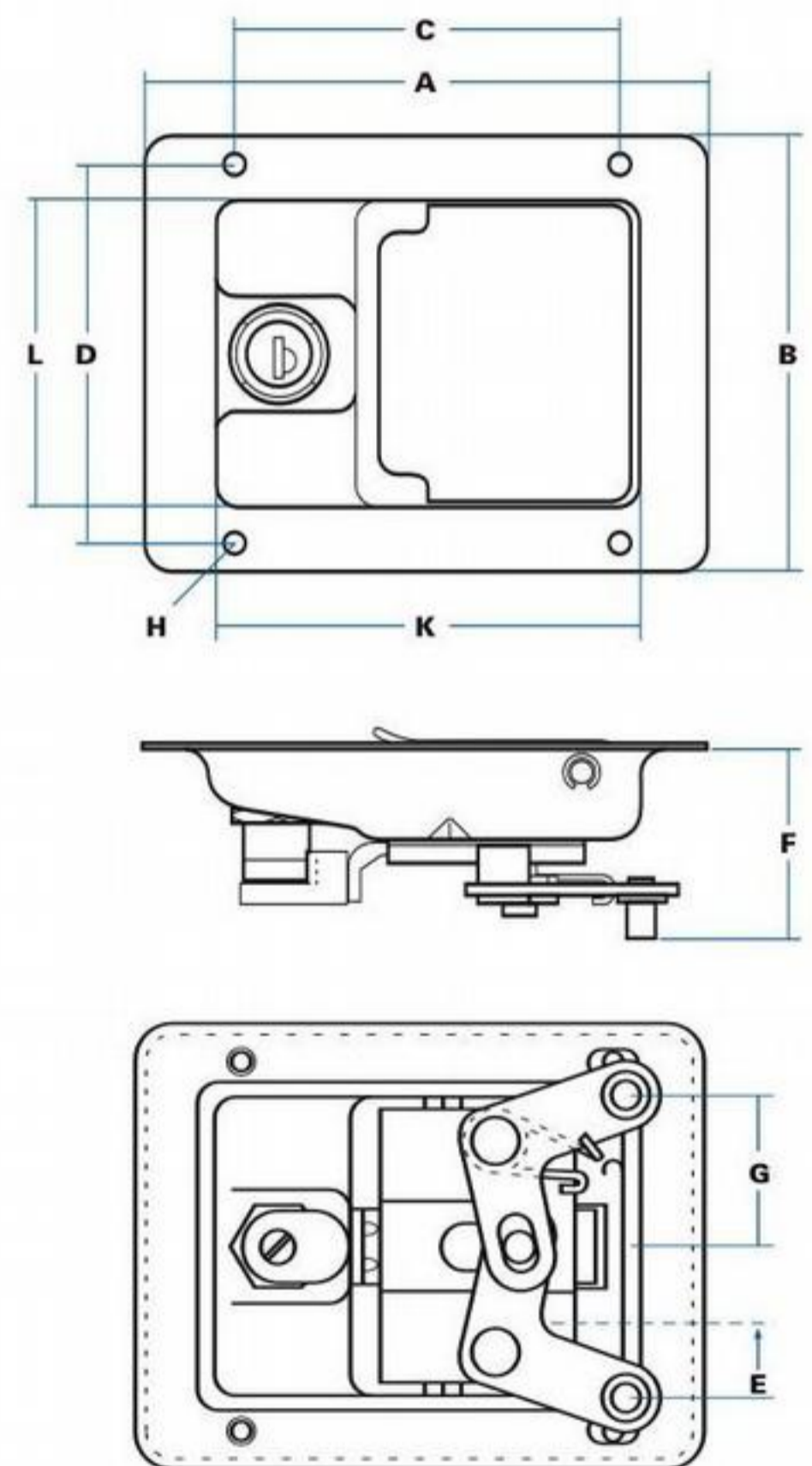
Consult sales office for 'blind-mount' models

'Blind-mounting' models



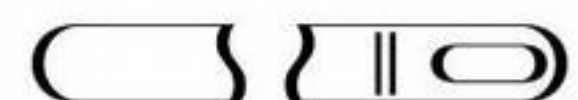
'Blind mounting' models have four studs (M6x15mm) welded on inside flanges. This option is available on all paddles. Consult engineering drawing for position of studs (not same as holes).

SPECIFICATION



E	'Travel' of link point	15 mm
F	Depth of link point	37 mm
G	Location of link point	47 mm

Note : 'F' can be reduced to 30mm by mounting pillars on inside face of levers.



Standard linkage bar 3/12497 (915 mm) used for 2-way slam system. Piercing allows 'quick fit' attachment of latches and free movement when centre is locked.

F.A. Parkes (M.B.F) Limited
Unit 4, Acorn Court
Butts Street, Leigh
Lancashire WN7 3AE

Tel. 01942 681 996
sales@faparkes.co.uk