



Buy on-line
at the FA Parkes
sales portal
the quickest
and most efficient
way to purchase
all your hardware
requirements; locks
handles, hinges
stays, gasketing
etc....

www.faparkes.co.uk
your one stop shop!

Right-hand
(9/00424) in
unlatched position



9/00425 Striker
(See also 9/00095/01 loop striker)



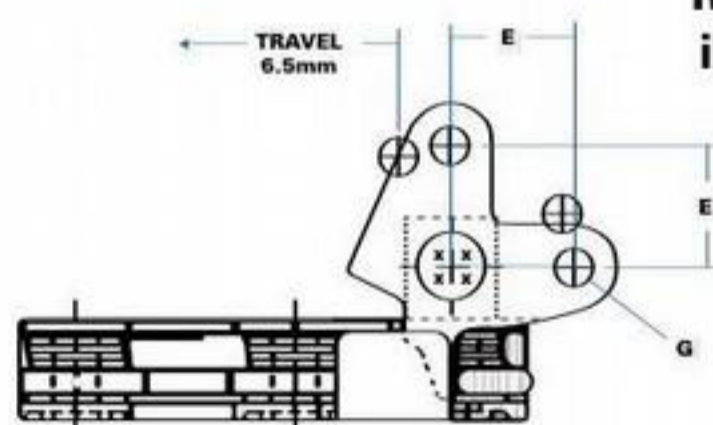
ORDERING CODE

9/00423	Rotary latch, LH
9/00424	Rotary latch, RH
9/00425	Striker pin, (not handed)

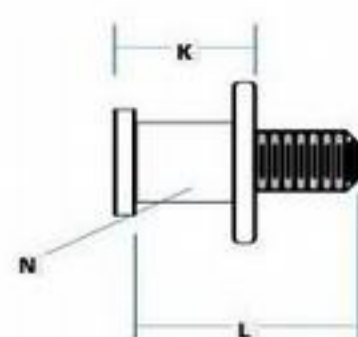
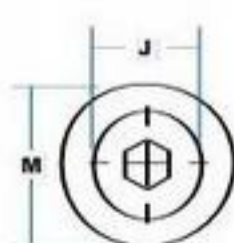
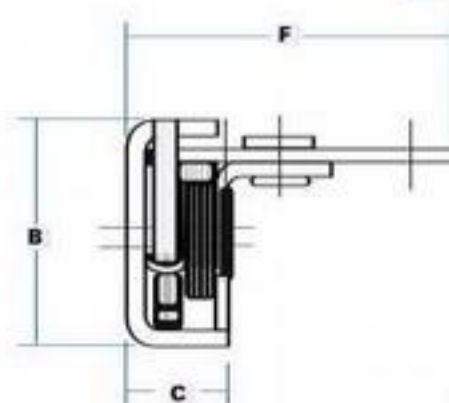
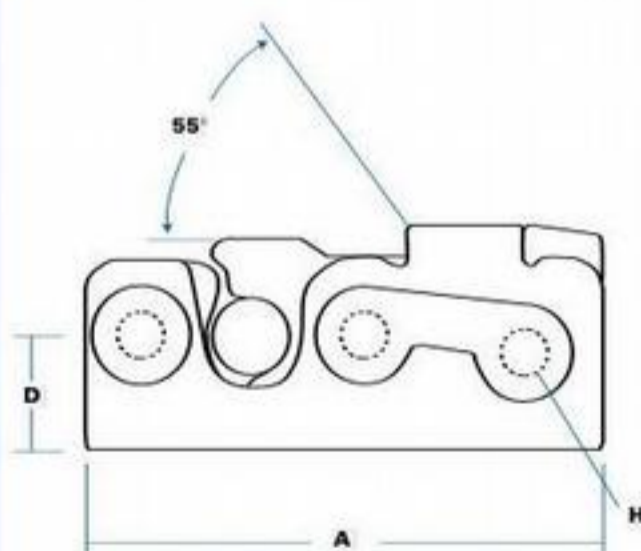
SPECIFICATION

A	Case length	92 mm
B	Case width	40 mm
C	Case depth	20 mm
D	Location	21 mm
E	Pivot to hole	21 mm
F	Location	59 mm
G	Actuator hole (dia)	6.5 mm
H	Mounting hole (dia)	8.0 mm
J	Pin head diameter	19 mm
K	Surface projection	26 mm
L	Total pin length	44 mm
M	Washer diameter	30 mm
N	Striker pin diameter	14 mm

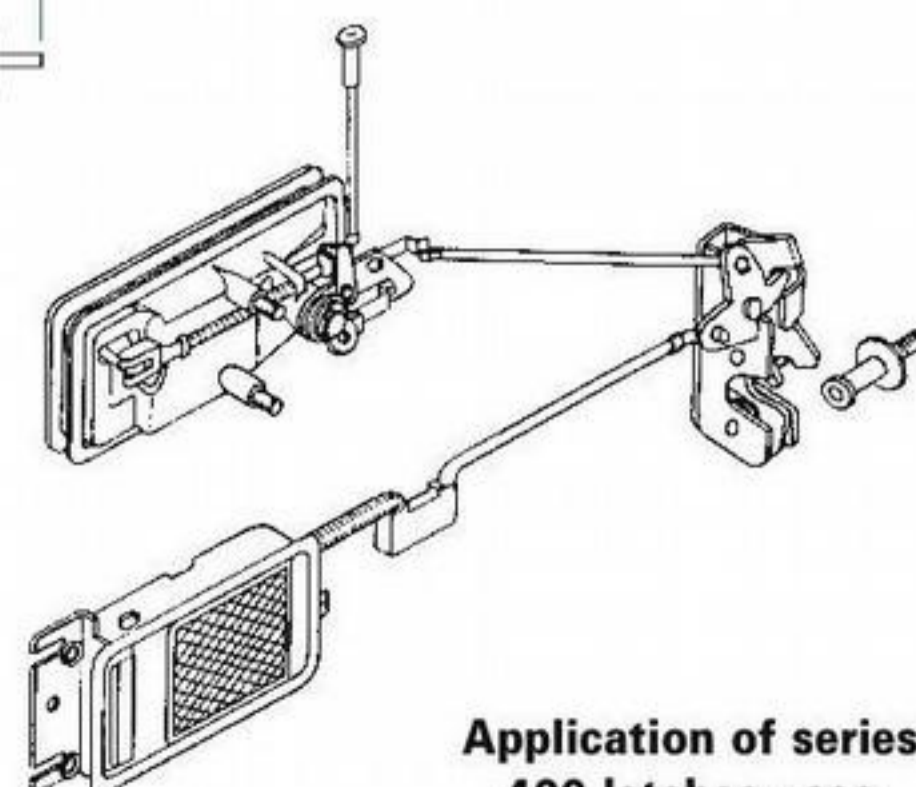
SAFETY CRITICAL



Right-hand
illustrated



Striker pin head 8mm hex x 4mm deep
Thread form 14 UNC Class 2A



Application of series
400 latches - see
'Flap Handles'

F.A. Parkes (M.B.F) Limited
Unit 4, Acorn Court
Butts Street, Leigh
Lancashire WN7 3AE

Tel. 01942 681 996
sales@faparkes.co.uk