



Buy on-line
at the FA Parkes
sales portal
the quickest
and most efficient
way to purchase
all your hardware
requirements; locks
handles, hinges
stays, gasketing
etc....

www.faparkes.co.uk
your one stop shop!



9/00408
(non-locking)
stainless steel



9/00418
(locking)
stainless steel



Single-sided
'FS' keys
are standard

ORDERING CODE

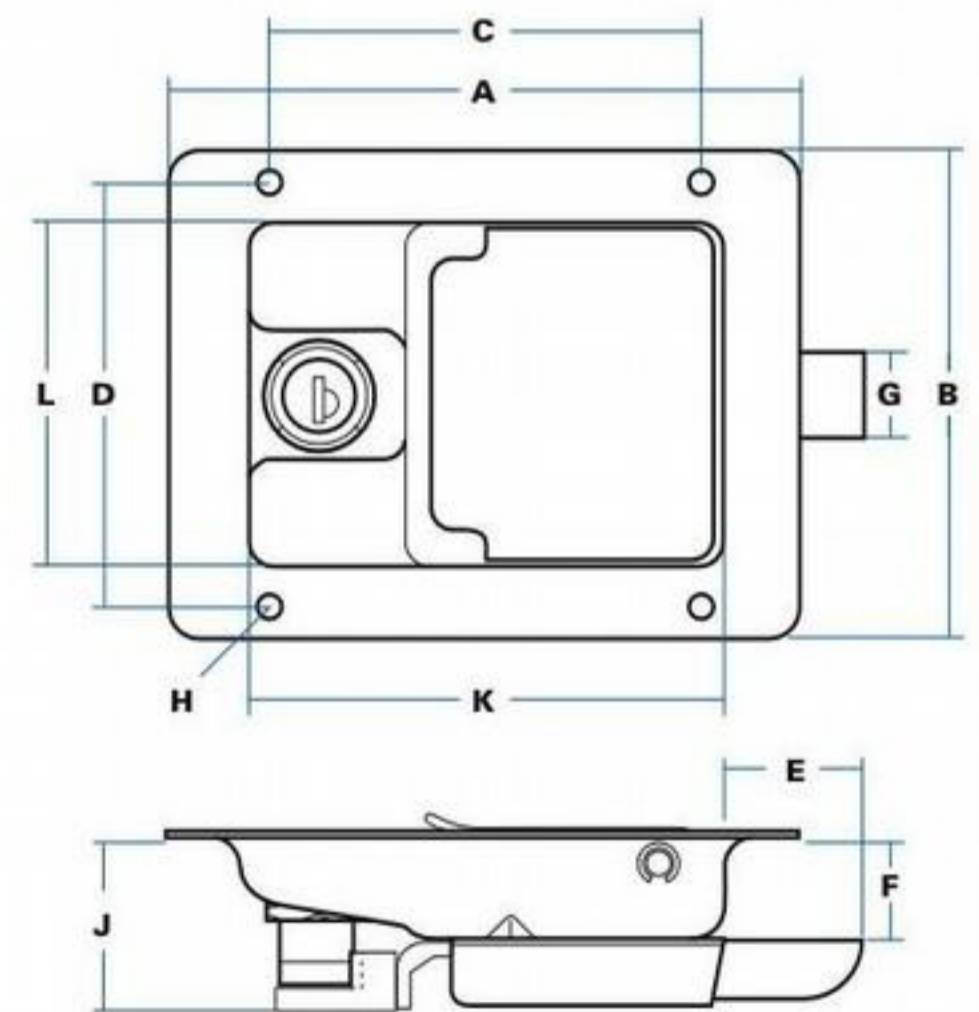
Mild steel models, with plain rim & gasket

9/00419	Slam-bolt paddle, locking
9/00419B	As above, black
9/00419/01	As 9/00419, FS880 standard keys
9/00419B/01	As above, black
9/00420	Slam-bolt paddle, non-locking
9/00420B	As above, black

Stainless models with pierced rim & gasket

9/00418	Slam-bolt paddle, locking
9/00418/01	As 9/00418, FS880 standard keys
9/00408	Slam-bolt paddle, non-locking

SPECIFICATION



A	Case length	140 mm
B	Case width	108 mm
C	Hole centres	95 mm
D	Hole centres	94 mm
E	Bolt projection (max)	28 mm
F	Bolt depth	22 mm
G	Bolt width	19 mm
H	Hole sizes (diameter)	5 mm
J	Maximum depth	40 mm
K	Recess length	105 mm
L	Recess width	76 mm

Panel-piercing

See page C10 for details of panel cut-out required

F.A. Parkes (M.B.F) Limited
Unit 4, Acorn Court
Butts Street, Leigh
Lancashire WN7 3AE

Tel. 01942 681 996
sales@faparkes.co.uk