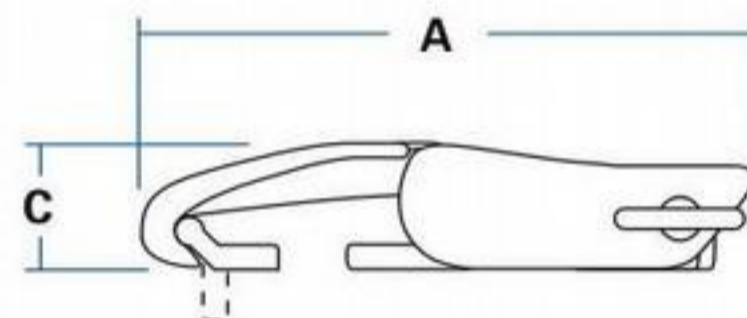
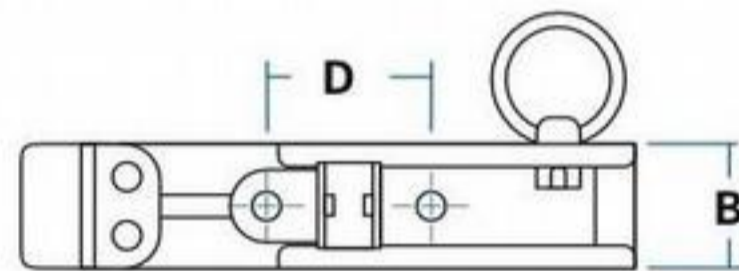




Buy on-line  
at the FA Parkes  
sales portal  
the quickest  
and most efficient  
way to purchase  
all your hardware  
requirements; locks  
handles, hinges  
stays, gasketing  
etc....

[www.faparkes.co.uk](http://www.faparkes.co.uk)  
your one stop shop!

**9/01984**  
Catch & striker  
assembly



### ORDERING CODE

**9/01984** Moulded over-centre catch  
& striker assembly

### SPECIFICATION

<b>A</b> Length (overall)	125 mm
<b>B</b> Width	25 mm
<b>C</b> Height (max)	26 mm
<b>D</b> Hole centres (base)	33.4 mm
<b>E</b> Hole Sizes	5 mm c/s 8 mm
<b>F</b> Max 'draw'	20 mm

**9/00285**  
Short catch &  
Striker Plate



**9/00284**  
long catch &  
Striker Plate

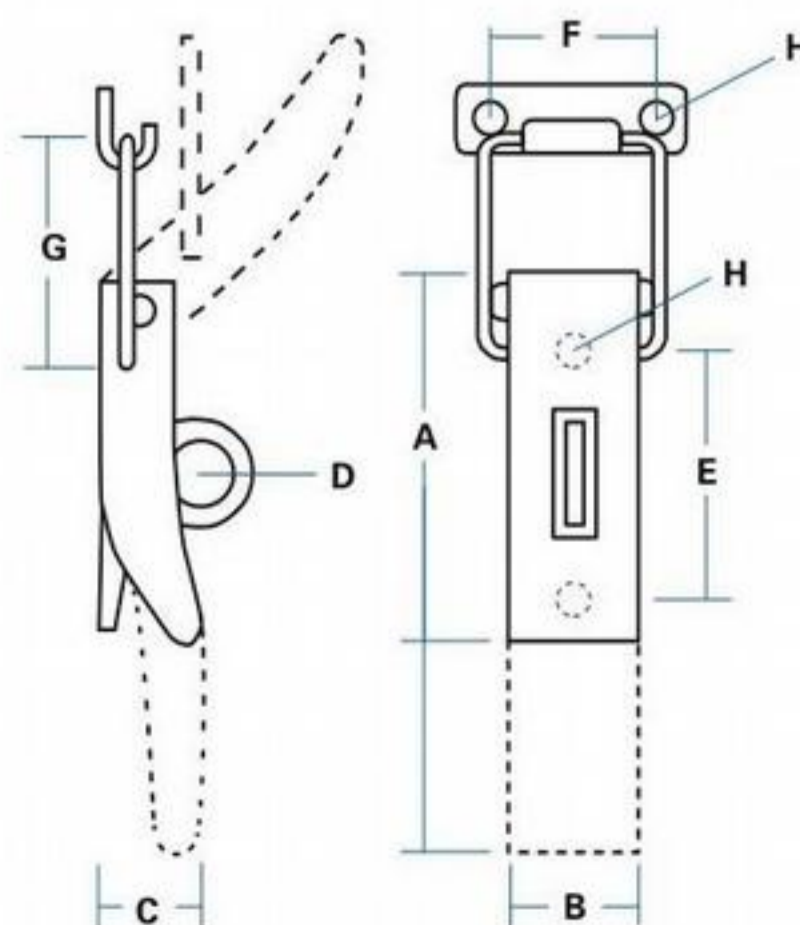


### ORDERING CODE

**9/00284** Overcenter catch/hook - long  
**9/00285** Overcenter catch/hook - short

### SPECIFICATION

<b>A</b> Length (long model)	130 mm
Length (short model)	66 mm
<b>B</b> Width	25 mm
<b>C</b> Height	20 mm
<b>D</b> Loop Diameter	10 mm
<b>E</b> Hole Centres	34 mm
<b>F</b> Hole Centres	32 mm
<b>G</b> Max. Open	52 mm (short) 80 mm (long)
Closed	42 mm (short) 60 mm (long)
<b>H</b> Hole Sizes	5 mm



F.A. Parkes (M.B.F) Limited  
Unit 4, Acorn Court  
Butts Street, Leigh  
Lancashire WN7 3AE

Tel. 01942 681 996  
[sales@faparkes.co.uk](mailto:sales@faparkes.co.uk)