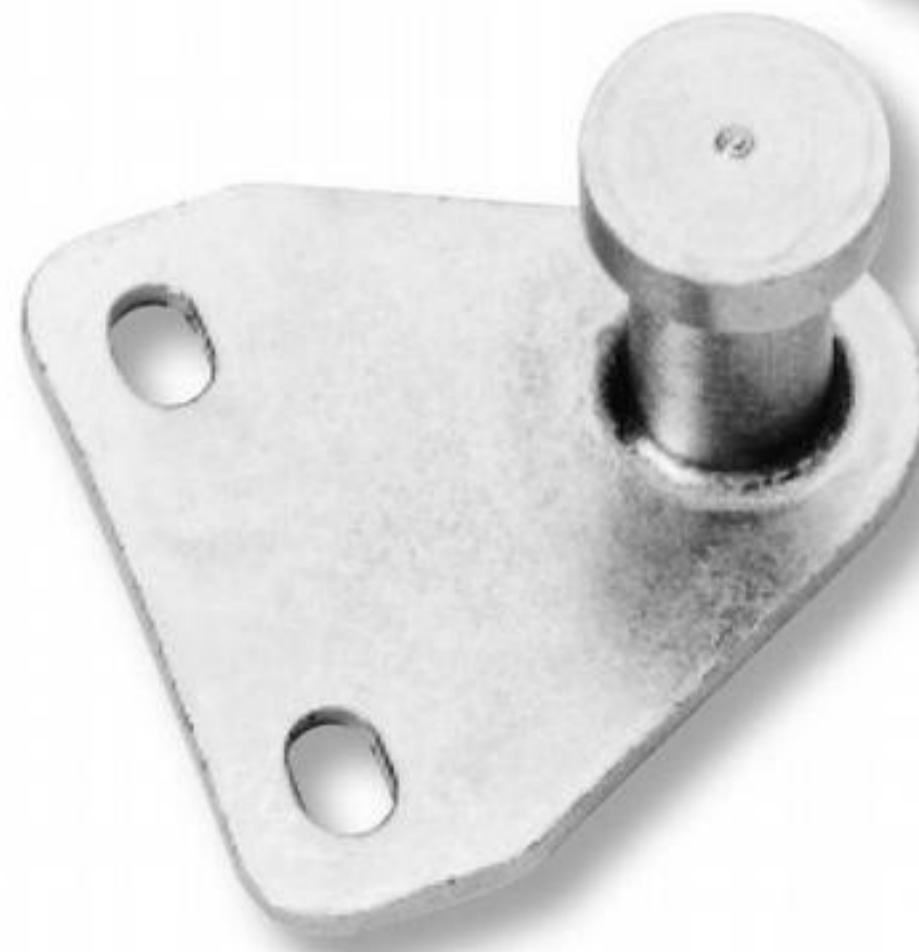




Buy on-line
at the FA Parkes
sales portal
the quickest
and most efficient
way to purchase
all your hardware
requirements; locks
handles, hinges
stays, gasketing
etc....

www.faparkes.co.uk
your one stop shop!

9/00724 Striker,
normally used with
this latch

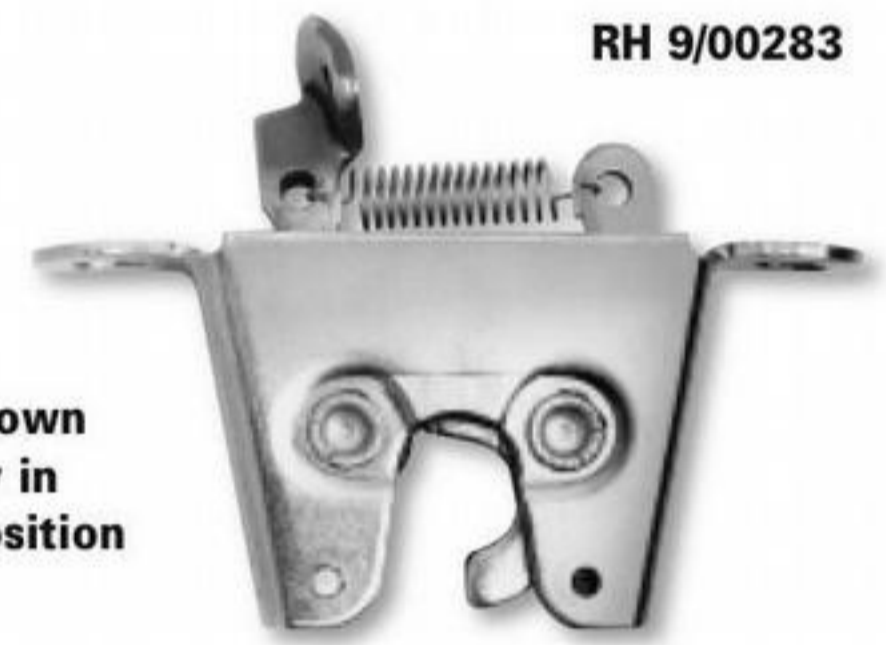


9/00263, RH latch,
shown in 'open' position
with fitted moulded
cover
(latch only is 9/00283)

LH 9/01183



RH 9/00283



Latches shown
with claw in
'engaged' position

ORDERING CODE

9/00263 Claw latch RH, c/w 'buffer'

9/00283 Claw latch RH, no 'buffer'

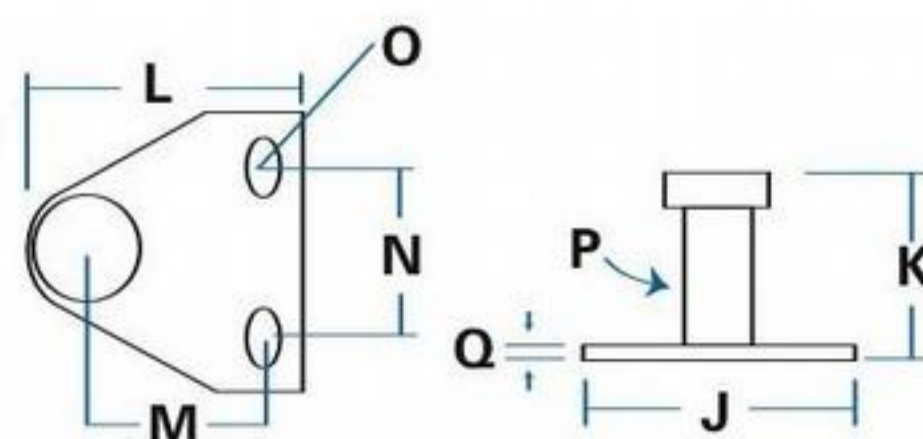
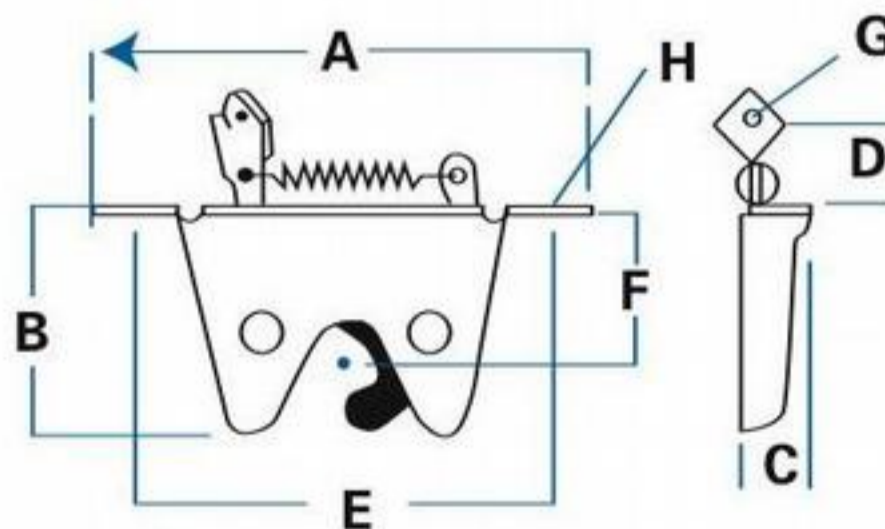
9/01183 Claw latch LH, no 'buffer'

9/00724 Pin-type striker

3/21787 Moulded 'buffer' only

SPECIFICATION

A Length	100 mm
B Height	50 mm
C Width	19 mm
D Location	21 mm
E Hole Centres	82 mm
F Location	30 mm
G Hole Size (diameter)	3 mm
H Hole Sizes	7 x 9 mm
Maximum force on trigger to release: 2.5kg	



J Width	51 mm
K Height	35 mm
L Length	51 mm
M Location	32 mm
N Hole Centres	32 mm
O Hole Sizes	5.5 x 9 mm
P Pin diameter	12.5 mm
Q Thickness	3 mm

Striker pins are staked and brazed, hardened and plated.

F.A. Parkes (M.B.F) Limited
Unit 4, Acorn Court
Butts Street, Leigh
Lancashire WN7 3AE

Tel. 01942 681 996
sales@faparkes.co.uk