

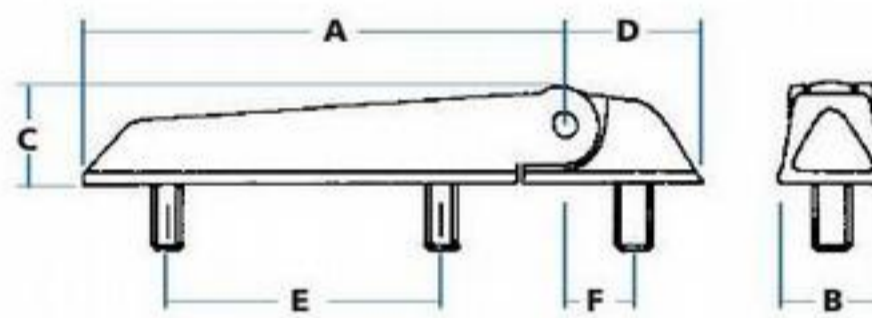


Buy on-line
at the FA Parkes
sales portal
the quickest
and most efficient
way to purchase
all your hardware
requirements; locks
handles, hinges
stays, gasketing
etc....

www.faparkes.co.uk
your one stop shop!



ORDERING CODE



9/00034 Boot/bonnet hinge, chrome

9/00634 Boot/bonnet hinge, black

SPECIFICATION

| | |
|------------------------|--------|
| A Leaf length | 135 mm |
| B Width (max) | 22 mm |
| C Height | 19 mm |
| D Length (butt) | 30 mm |
| E Hole centres | 58 mm |
| F Location | 15 mm |

Stud sizes

Butt end, 15 mm x 5/16" UNF

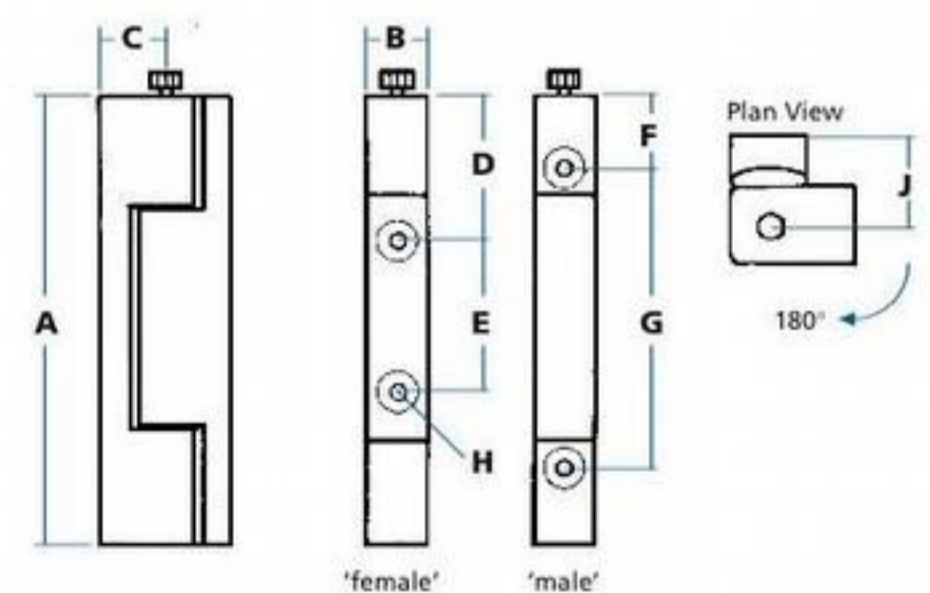
Leaf end, 15 mm x 1/4" UNF (2)

Pin is driven fully-flush when assembled.



9/00048

SPECIFICATION



| | |
|-------------------------|---------------------|
| A Length | 100 mm |
| B Width | 15 mm |
| C Height to pin | 15 mm |
| D Location | 35 mm |
| E Hole centres | 32 mm |
| F Location | 16 mm |
| G Hole centres | 64 mm |
| H Hole sizes | (dia) 5 mm c/s 9 mm |
| J Height to hole | 15 mm |

ORDERING CODE

9/00048 'French' hinge, chromium-plated

F.A. Parkes (M.B.F) Limited
Unit 4, Acorn Court
Butts Street, Leigh
Lancashire WN7 3AE

Tel. 01942 681 996
sales@faparkes.co.uk