



Buy on-line
at the FA Parkes
sales portal
the quickest
and most efficient
way to purchase
all your hardware
requirements; locks
handles, hinges
stays, gasketing
etc....

www.faparkes.co.uk
your one stop shop!

7/10016
LH illustrated



10016 (LH)

7/10015 (RH)

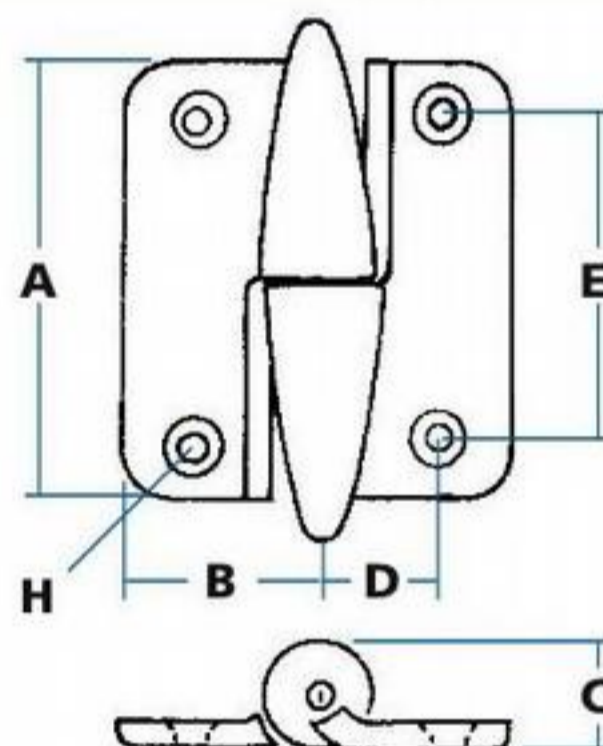
ORDERING CODE

7/10015 Lift-off hinge, RH, chrome

7/10016 Lift-off hinge, LH, chrome

1/26809 Lift-off hinge, RH, raw

1/26808 Lift-off hinge, LH, raw



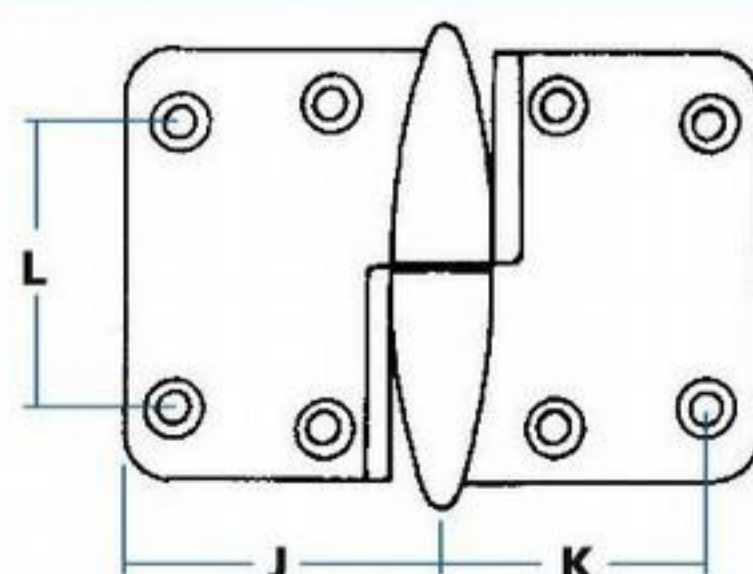
SPECIFICATION

A Length (max)	76 mm
B Width (half)	30 mm
C Height	18 mm
D Location to axis	18 mm
E Hole centres	51 mm
H Hole sizes (diameter)	5 mm, c/s 9 mm

Angle of opening

Hinges will open fully forward to 180°, backward to 60° from horizontal

SPECIFICATION



J Width (half) 48 mm

K Location to axis 42 mm

L Hole centres 44 mm

All other dimensions as 2-hole models

ORDERING CODE

7/04132 4-hole hinge, RH, chrome

7/04131 4-hole hinge, LH, chrome



7/04131 (LH)

F.A. Parkes (M.B.F) Limited
Unit 4, Acorn Court
Butts Street, Leigh
Lancashire WN7 3AE

Tel. 01942 681 996
sales@faparkes.co.uk