



Buy on-line
at the FA Parkes
sales portal
the quickest
and most efficient
way to purchase
all your hardware
requirements; locks
handles, hinges
stays, gasketting
etc....

www.faparkes.co.uk
your one stop shop!

5/01464
Striker plate



Single-sided 'FS'
keys are standard

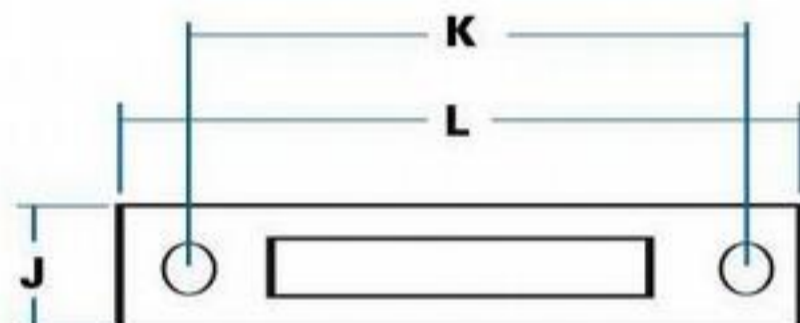


7/06433
Desk lock

ORDERING CODE

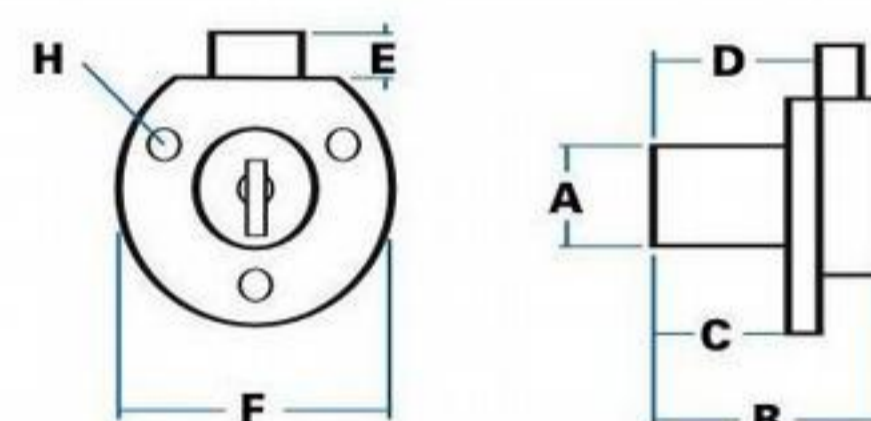
7/06433	Desk lock, chrome
7/06433/01	Desk lock, FS 880 keys
5/01464	Striker plate, chrome

Striker plate, 5/01464

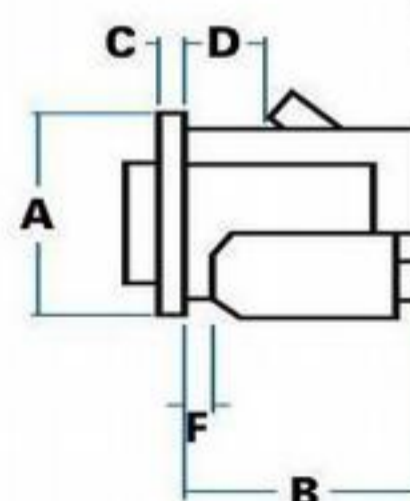
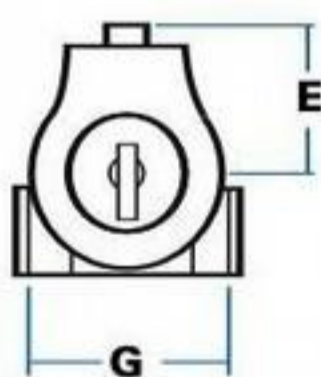


J	Striker width	18 mm
K	Striker hole centres	40 mm
L	Striker length	50 mm

SPECIFICATION



A	Face diameter	19 mm
B	Body depth	29 mm
C	Head depth	17 mm
D	Depth to bolt	25 mm
E	Depth 'throw'	7 mm
F	Diameter	40 mm
H	Hole sizes	3 mm



7/09302



7/23057
Finger pull

SPECIFICATION

A	Face height	25 mm
B	Body depth	28 mm
C	Rim thickness	4 mm
D	Location to bolt	8 mm
E	Centre-line to bolt	15 mm
F	Tolerance (panel thickness)	2 mm
G	Body width	22 mm

Request drawing for panel-piercing.

ORDERING CODE

7/09302	Cubby lock
7/09303	Cubby lock, FS 880
7/09280	Cubby lock, plain button
7/23057	Finger-pull, chrome

Note Finger-pull is optional and secures behind fixing-bracket. Finish is stainless steel (satin) or black to special order.

F.A. Parkes (M.B.F) Limited
Unit 4, Acorn Court
Butts Street, Leigh
Lancashire WN7 3AE

Tel. 01942 681 996
sales@faparkes.co.uk