

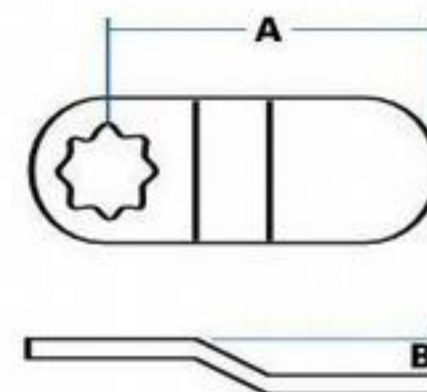


Buy on-line  
at the FA Parkes  
sales portal  
the quickest  
and most efficient  
way to purchase  
all your hardware  
requirements; locks  
handles, hinges  
stays, gasketting  
etc....

[www.faparkes.co.uk](http://www.faparkes.co.uk)  
your one stop shop!



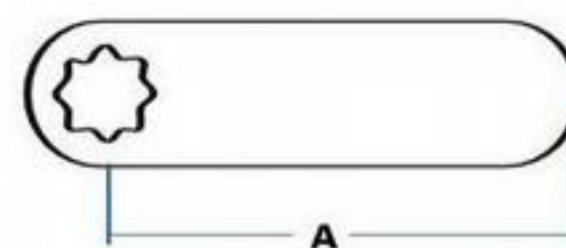
'Cranked'  
Latch Bars



Part number	A	B
7/01906	36mm	8mm
9/00033	30mm	4mm



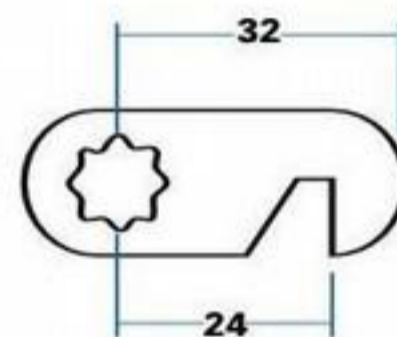
'Straight'  
Latch Bars



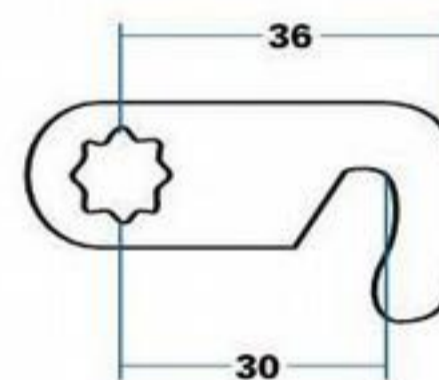
Part number	A
9/00526	23mm
7/03640	35mm
7/35232	51mm
5/00458	76mm



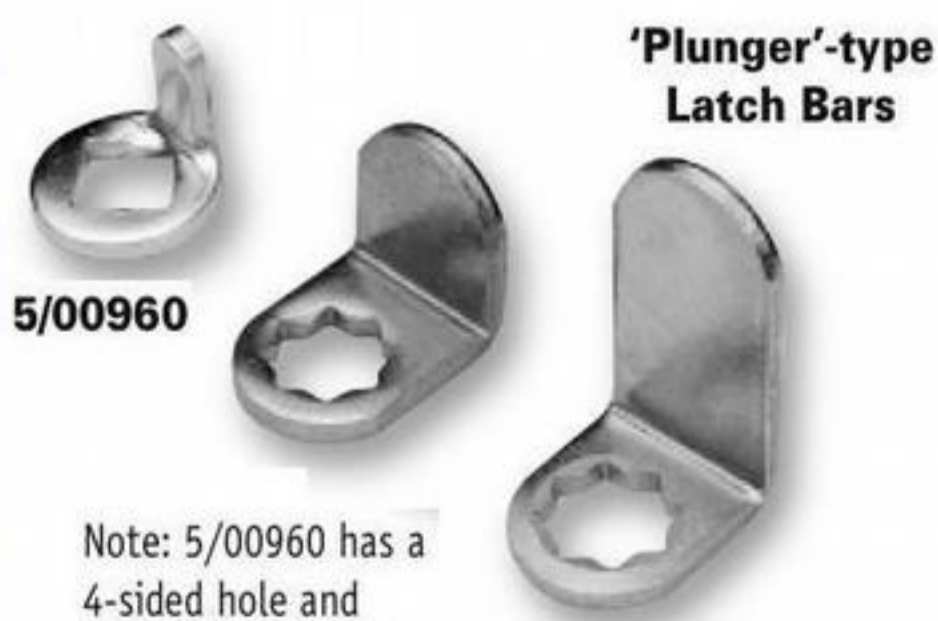
'Hooked'  
Latch Bars



7/23563



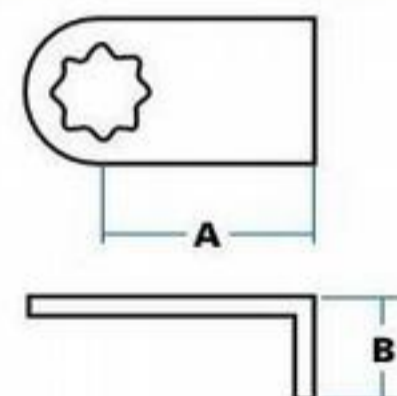
9/00509



'Plunger'-type  
Latch Bars

5/00960

Note: 5/00960 has a  
4-sided hole and  
'Plunger' is reduced  
to 6mm width.



Part number	A	B
5/00960	8mm	14mm
5/02051	10mm	13mm
5/01907	13mm	17mm
5/00474	10mm	30mm

F.A. Parkes (M.B.F) Limited  
Unit 4, Acorn Court  
Butts Street, Leigh  
Lancashire WN7 3AE

Tel. 01942 681 996  
[sales@faparkes.co.uk](mailto:sales@faparkes.co.uk)

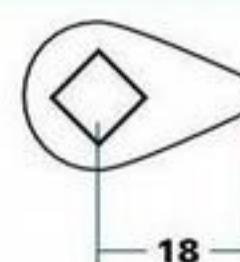


'Special'  
Latch Bars

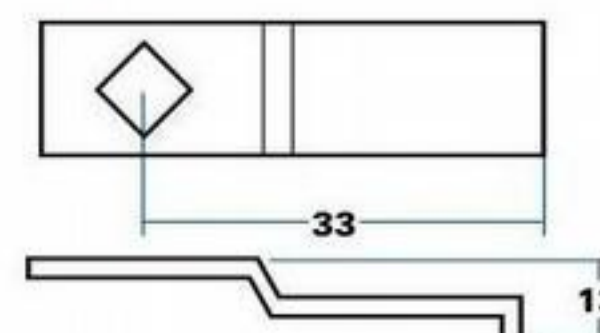
7/08995

7/23709

Note: These latch bars  
have 4-sided hole only.



'Pear-shaped'  
Bar  
7/08995



'Blocking'  
Bar  
7/23709