



Buy on-line
at the FA Parkes
sales portal
the quickest
and most efficient
way to purchase
all your hardware
requirements; locks
handles, hinges
stays, gasketing
etc....

www.faparkes.co.uk
your one stop shop!

3/30476
Right side latch
(visible face)



3/21330
Universal striker
(Plant-on)



ORDERING CODE

3/30476 Disc latch, RH

3/30477 Disc latch, LH

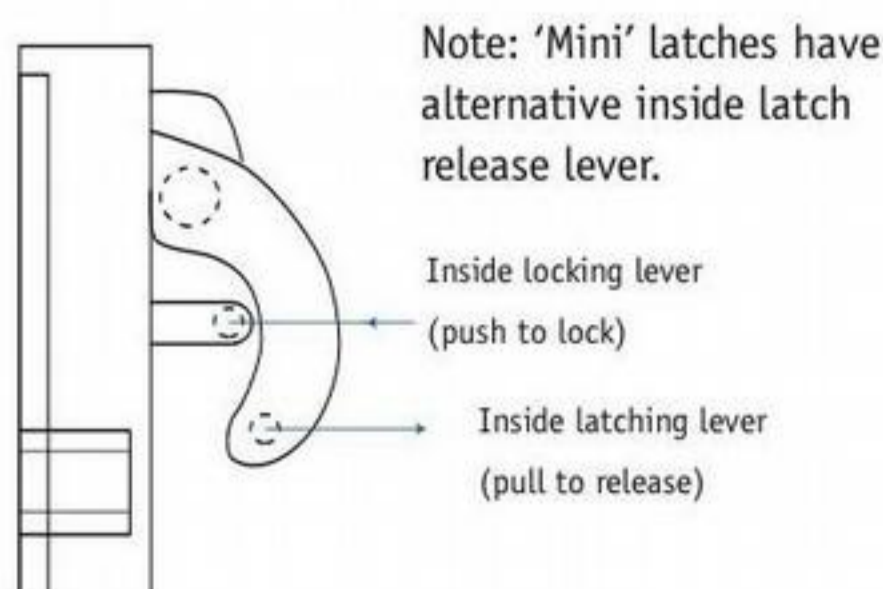
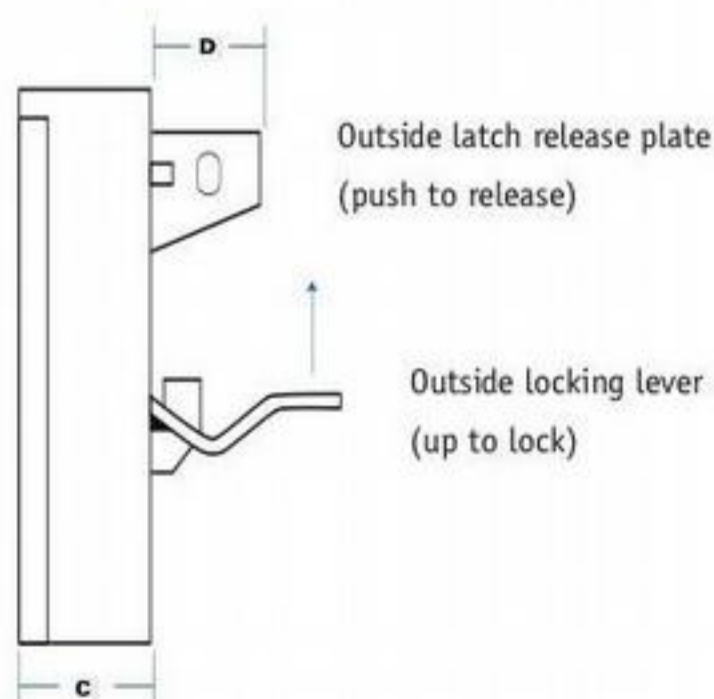
3/22142 Disc latch, RH (Mini)

3/22143 Disc latch, LH (Mini)

3/21330 Loop-striker

Illustration to show operation of
actuation levers (right-hand shown)

SAFETY CRITICAL



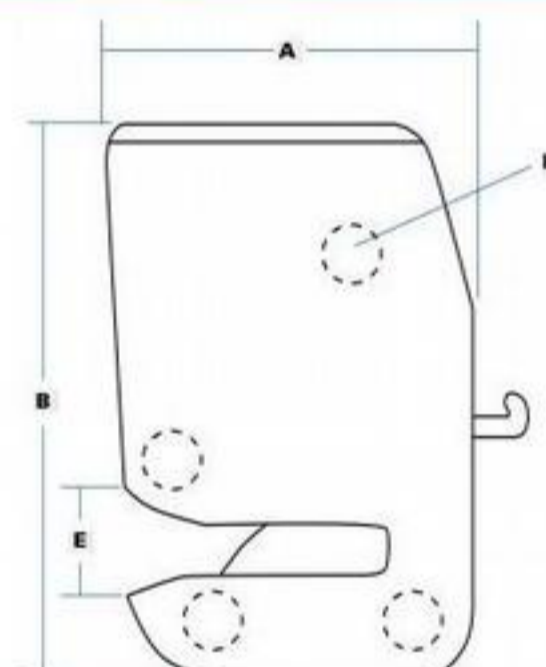
Use connecting clips 1/26869-70

Max travel for inside/outside release of latch 8 mm

Max travel for inside/outside release of lock 10 mm

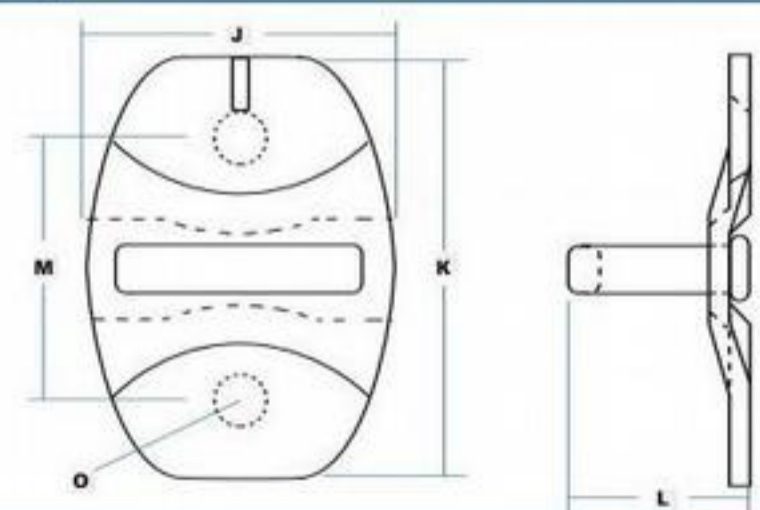
SPECIFICATION

3/30476
Right-side
illustrated



A Max width	66 mm
B Body height	94 mm
C Body depth	21 mm
D Push plate width	20 mm
E 'Throat' height	18 mm
H Holes	c/s 13 mm Ø 7 mm

For other dimensions consult engineering
drawing



J Max width	45 mm
K Plate height	60 mm
L Loop depth	27 mm
M Hole centres	38 mm
O Hole sizes	c/s 13 mm Ø 7 mm

F.A. Parkes (M.B.F) Limited
Unit 4, Acorn Court
Butts Street, Leigh
Lancashire WN7 3AE

Tel. 01942 681 996
sales@faparkes.co.uk