

Buy on-line  
at the FA Parkes  
sales portal  
the quickest  
and most efficient  
way to purchase  
all your hardware  
requirements; locks  
handles, hinges  
stays, gasketing  
etc....

[www.faparkes.co.uk](http://www.faparkes.co.uk)  
your one stop shop!

## ORDERING CODE

**3/18794** 2-way rod latch, RH, (set)

**3/18795** 2-way rod latch, LH (set)

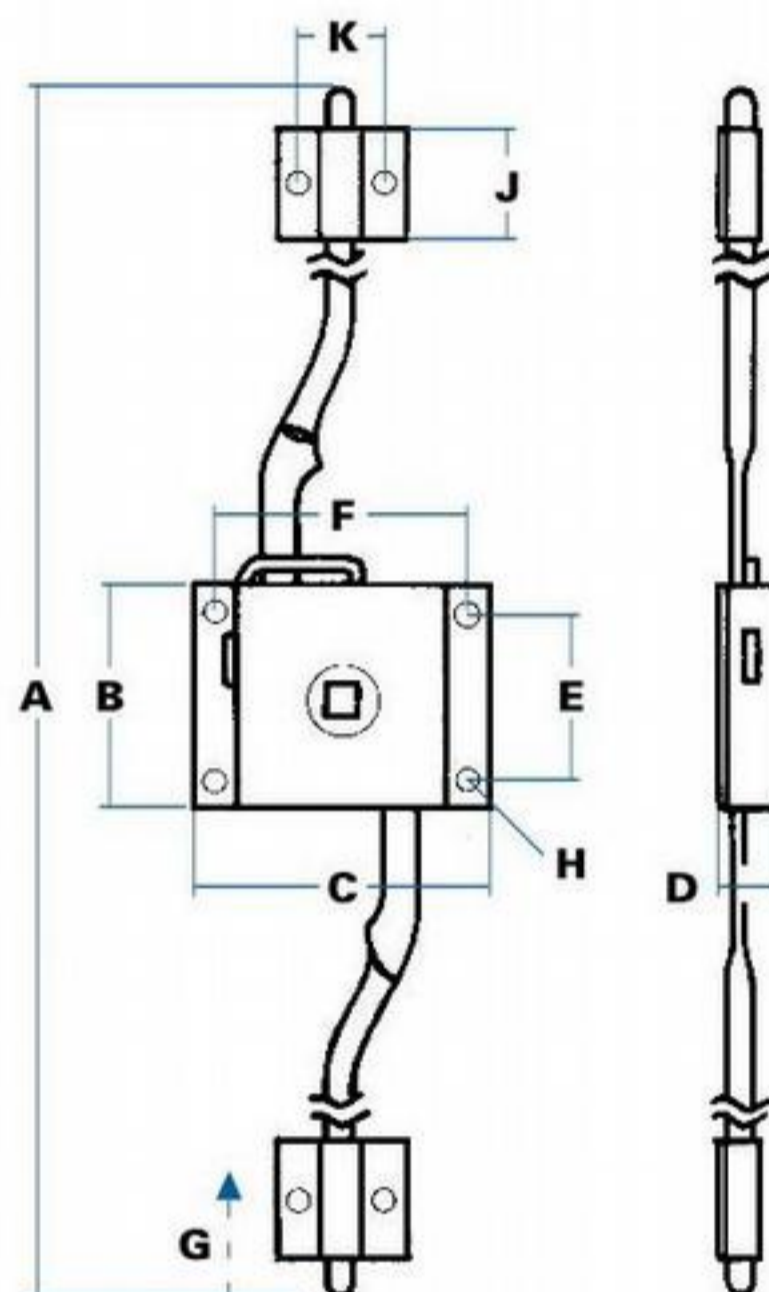
**3/18794 MO** 2-way latch, RH, no guides

**3/18795 MO** 2-way latch, LH, no guides

**3/18899** Guide, 2-way latches

**3/18898** Packing-plate for guides

### Right-hand illustrated

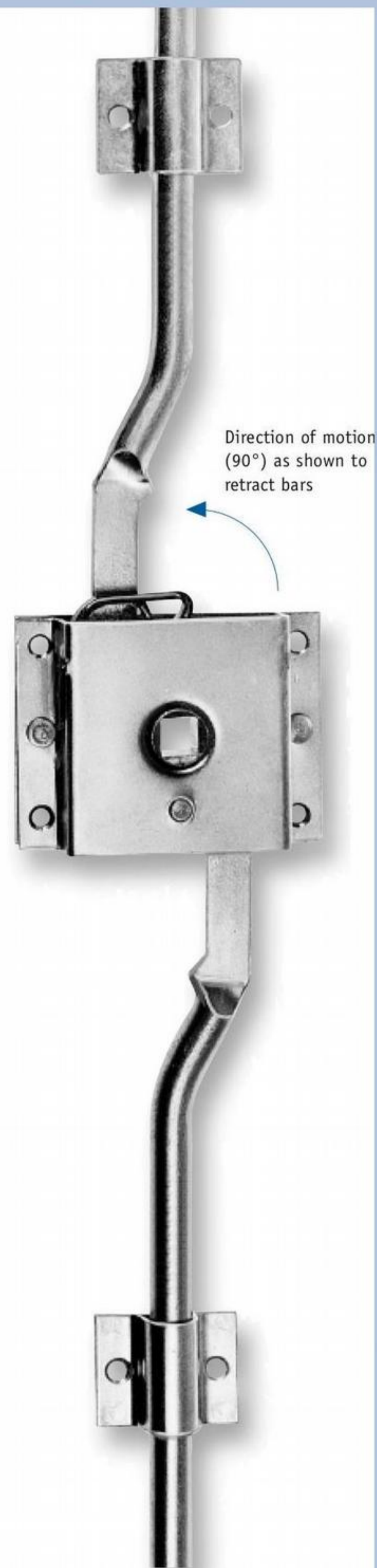
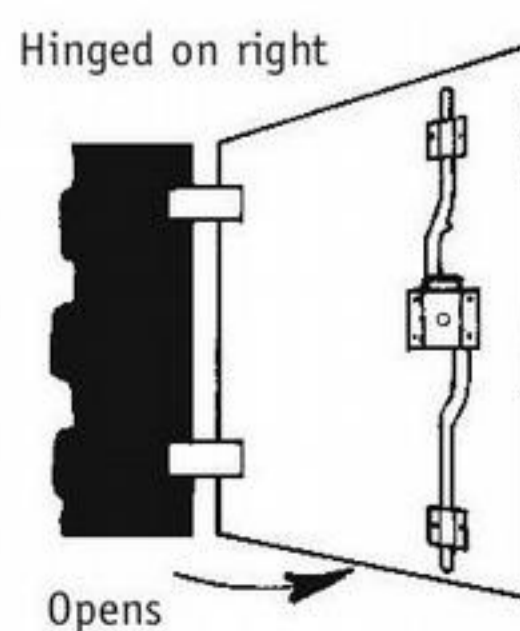


## SPECIFICATION

A. Length of system (extended)	2210 mm
(retracted)	2160 mm
B. Case length	50 mm
C. Case width	67 mm
D. Case height	14 mm
E. Hole centres (vertical)	38 mm
F. Hole centres (horizontal)	57 mm
G. Withdrawal (each end)	24 mm
H. Hole sizes (diameter)	4 mm
J. Guide length	25 mm
K. Hole centres	22 mm

Rod diameter 10 mm. Follow bush mounted centrally to accept 8 mm square shaft.

**Note on 'handing'**  
Sketch shows right side latch in position on interior of door which is hinged on its right-hand edge (when viewed from outside).



**Right-hand rod latch 3/18794 (includes guides) shown fully extended, from inside.**

F.A. Parkes (M.B.F) Limited  
Unit 4, Acorn Court  
Butts Street, Leigh  
Lancashire WN7 3AE

Tel. 01942 681 996  
[sales@faparkes.co.uk](mailto:sales@faparkes.co.uk)