



Buy on-line  
at the FA Parkes  
sales portal  
the quickest  
and most efficient  
way to purchase  
all your hardware  
requirements; locks  
handles, hinges  
stays, gasketing  
etc....

[www.faparkes.co.uk](http://www.faparkes.co.uk)  
your one stop shop!

3/16201 (RH)

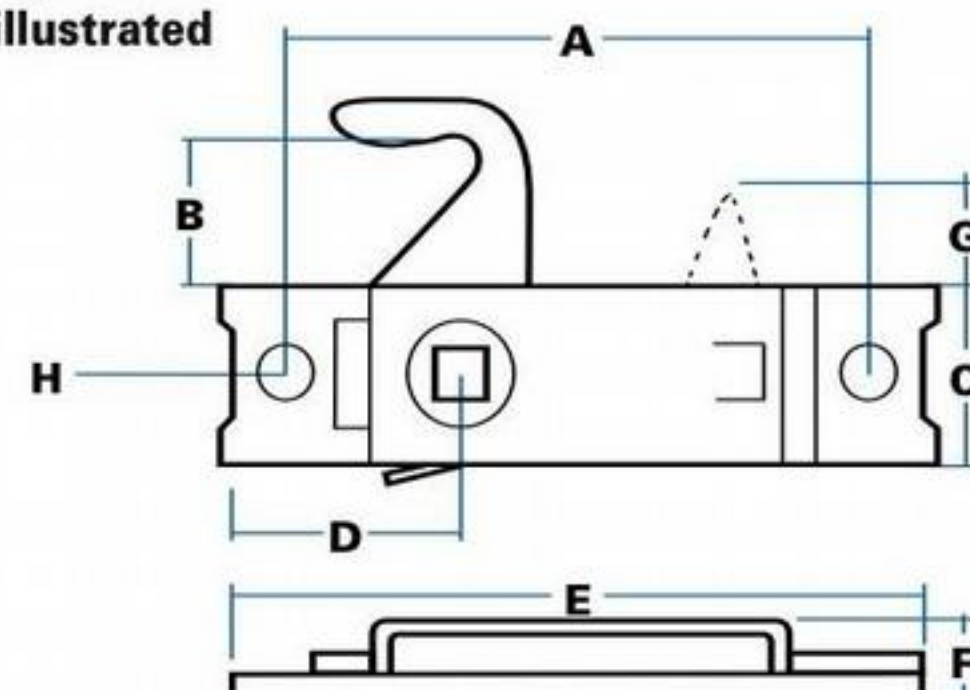


### SPECIFICATION

<b>A</b> Hole Centres	93 mm
<b>B</b> Engagement	24 mm
<b>C</b> Case Width	25 mm
<b>D</b> Location	42 mm
<b>E</b> Case Length	112 mm
<b>F</b> Max. Height	8 mm
<b>G</b> Min. Projection	13 mm
<b>H</b> Hole Sizes	9 mm

Original application: as boot latches, LH on  
MG Midget, RH on TR4/5.

Right-hand  
illustrated



### ORDERING CODE

**3/16200** Hooked budget latch, LH  
**3/16201** Hooked budget latch, RH

9/00799

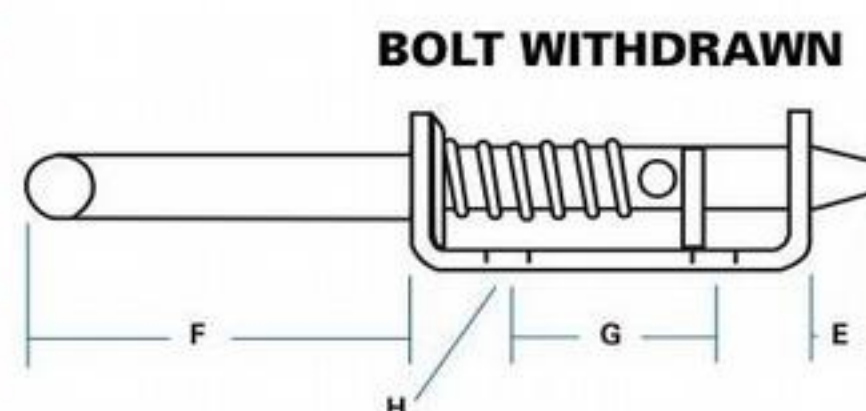
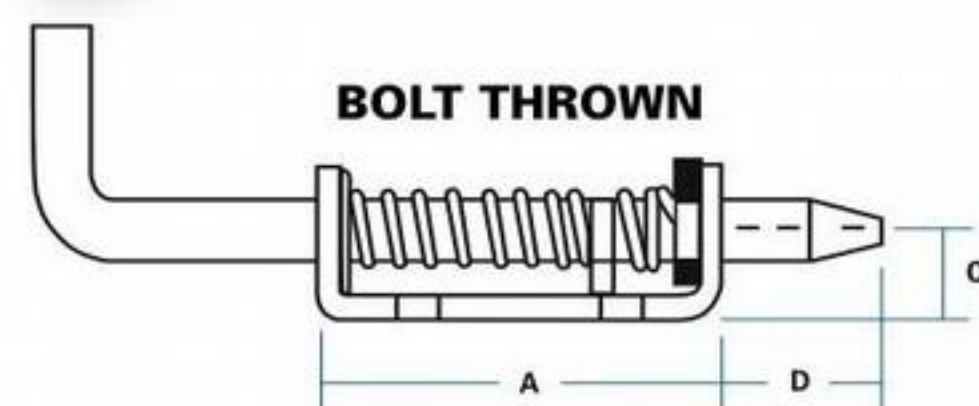


### ORDERING CODE

**9/00799** Spring bolt

### SPECIFICATION

<b>A</b> Case Length	60 mm
<b>B</b> Case Width	50 mm
<b>C</b> Height	15 mm
<b>D</b> Engagement	25 mm
<b>E</b> Projection	10 mm
<b>F</b> Projection	65 mm
<b>G</b> Hole Centres	30 mm
<b>H</b> Hole Sizes (Diameter)	7 mm



F.A. Parkes (M.B.F) Limited  
Unit 4, Acorn Court  
Butts Street, Leigh  
Lancashire WN7 3AE

Tel. 01942 681 996  
[sales@faparkes.co.uk](mailto:sales@faparkes.co.uk)