



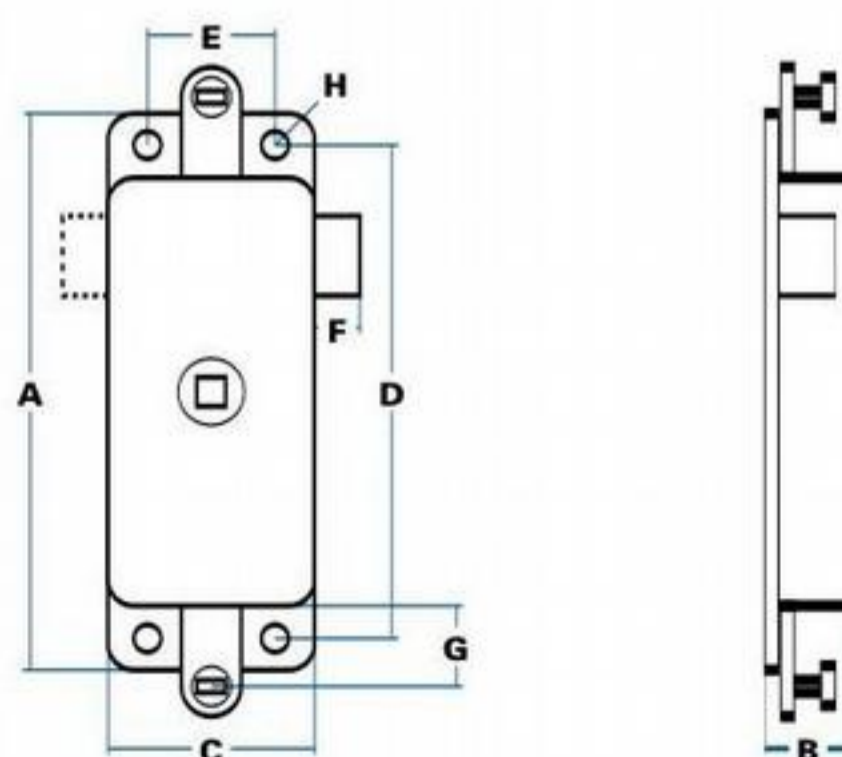
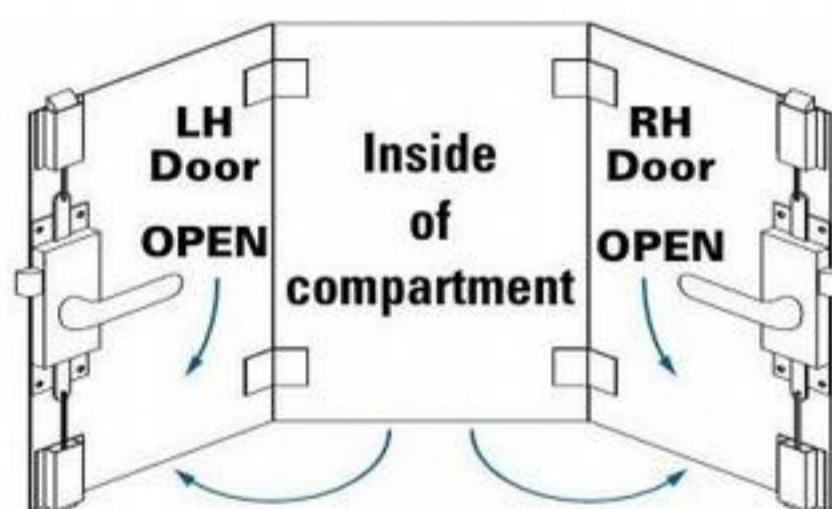
Buy on-line
at the FA Parkes
sales portal
the quickest
and most efficient
way to purchase
all your hardware
requirements; locks
handles, hinges
stays, gasketing
etc....

www.faparkes.co.uk
your one stop shop!



Right hand centre (3/12507), shown
with attachment points fully extended.

2-way centre (3/12508) is identical,
but without centre bolt.



Standard linkage bar 3/12497,
used on 3-way slam system

ORDERING CODE

3/12506	3-way slam centre, LH
3/12507	3-way slam centre, RH
3/12508	2-way slam centre (non-handed)
3/12497	Linkage bar (915mm)

SPECIFICATION

A Length	127 mm
B Height	19 mm
C Width	45 mm
D Hole Centres	114 mm
E Hole Centres	28 mm
F Bolt projection	11 mm
G Length	Extended 21 mm Withdrawn 14 mm
H Hole Sizes (diameter) c/s 8 mm	Ø 5.5 mm

Follow bush accepts 8 mm square shaft from both sides.

Rotation 40° to fully withdraw centre bolt and links, direction of rotation as shown in diagrams.

Materials: Case and follow bush, zinc diecastings. All other components are mild steel.

F.A. Parkes (M.B.F) Limited
Unit 4, Acorn Court
Butts Street, Leigh
Lancashire WN7 3AE

Tel. 01942 681 996
sales@faparkes.co.uk