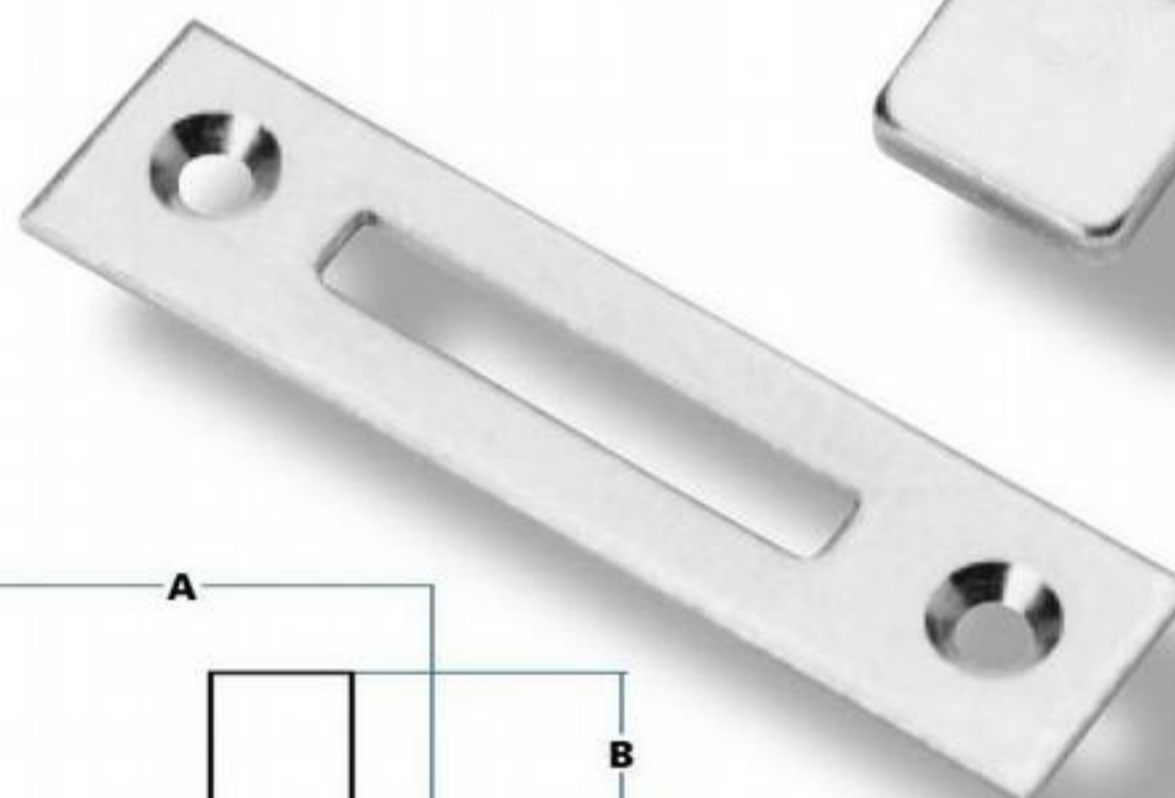




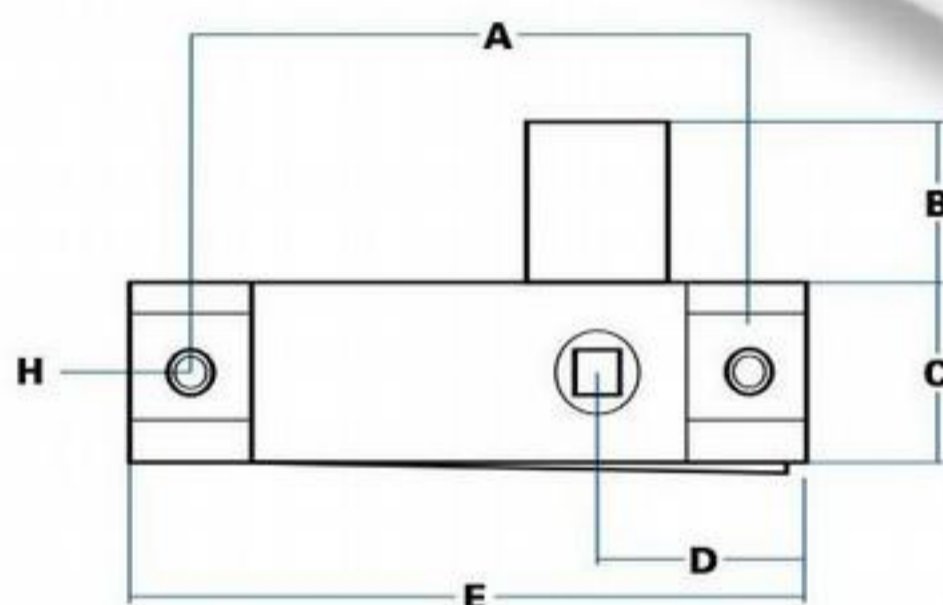
Buy on-line
at the FA Parkes
sales portal
the quickest
and most efficient
way to purchase
all your hardware
requirements; locks
handles, hinges
stays, gasketing
etc....

www.faparkes.co.uk
your one stop shop!

3/10511 (RH)



9/00749 striker plate
(60mm hole centres)



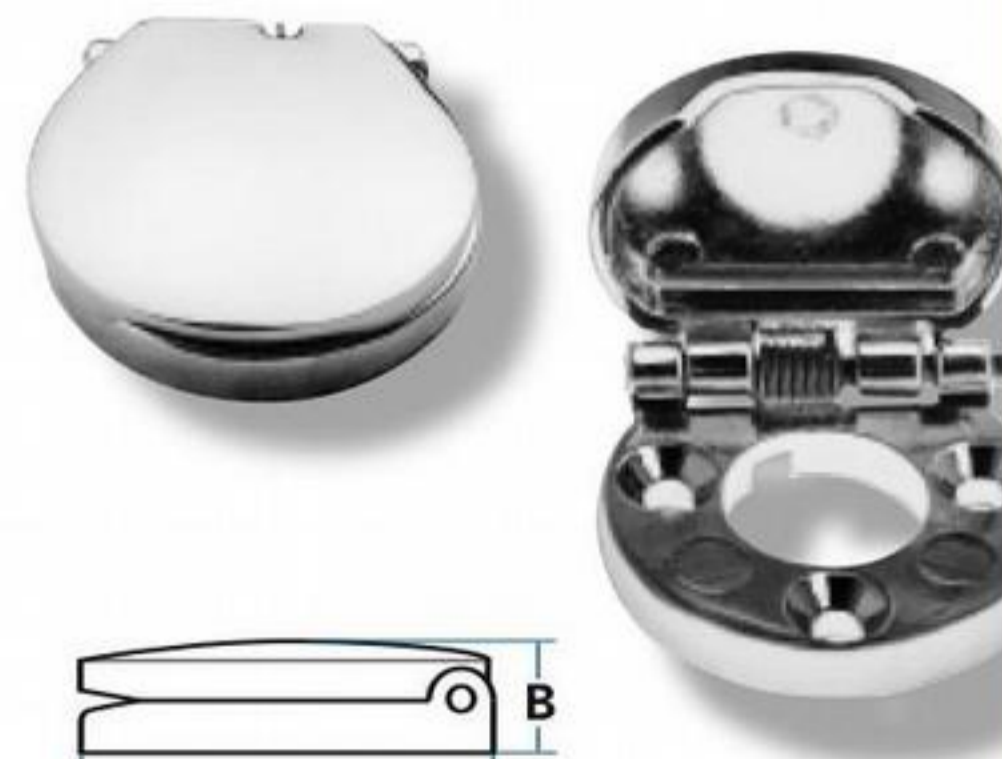
ORDERING CODE

3/10510	Budget latch, LH
3/10511	Budget latch, RH
3/10510/01	Budget latch, LH, 5mm holes
3/10511/01	Budget latch, RH, 5mm holes
9/00749	Striker plate

SPECIFICATION

A	Hole Centres	66 mm
B	Bolt Height	18 mm
C	Case Width	22 mm
D	Location	28 mm
E	Case Length	83 mm
F	Thickness	10 mm
H	Hole Sizes, (diameter)	6 mm c/s 10 mm

9/00160
3-hole cover

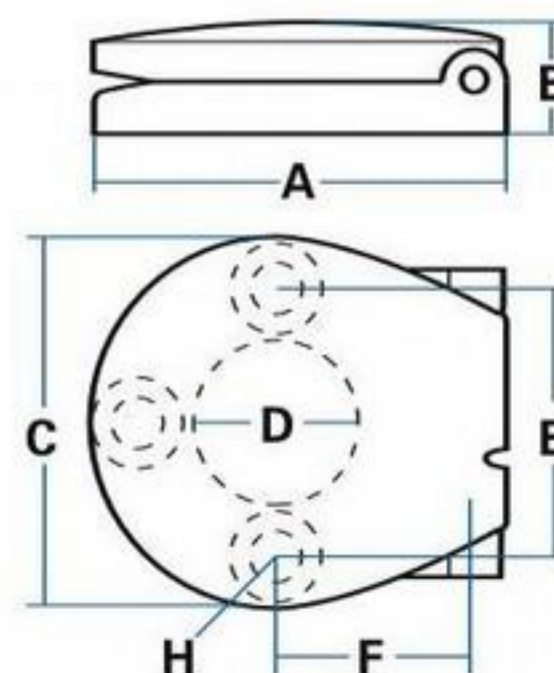


ORDERING CODE

9/00160	Diecast Escutcheon Cover
----------------	--------------------------

SPECIFICATION

A	Length	28 mm
B	Height (max.)	8 mm
C	Width	28 mm
D	Diameter	13 mm
E	Hole Centres	20 mm
F	Hole Centres	12 mm
H	Hole Sizes, (diameter)	3 mm c/s 5 mm



F.A. Parkes (M.B.F) Limited
Unit 4, Acorn Court
Butts Street, Leigh
Lancashire WN7 3AE

Tel. 01942 681 996
sales@faparkes.co.uk