

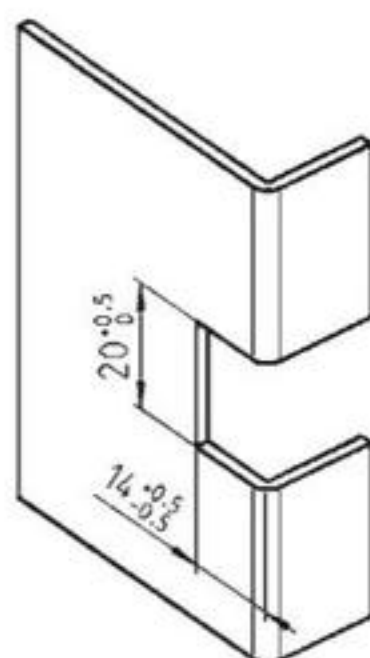


Buy on-line
at the FA Parkes
sales portal
the quickest
and most efficient
way to purchase
all your hardware
requirements; locks
handles, hinges
stays, gasketing
etc....

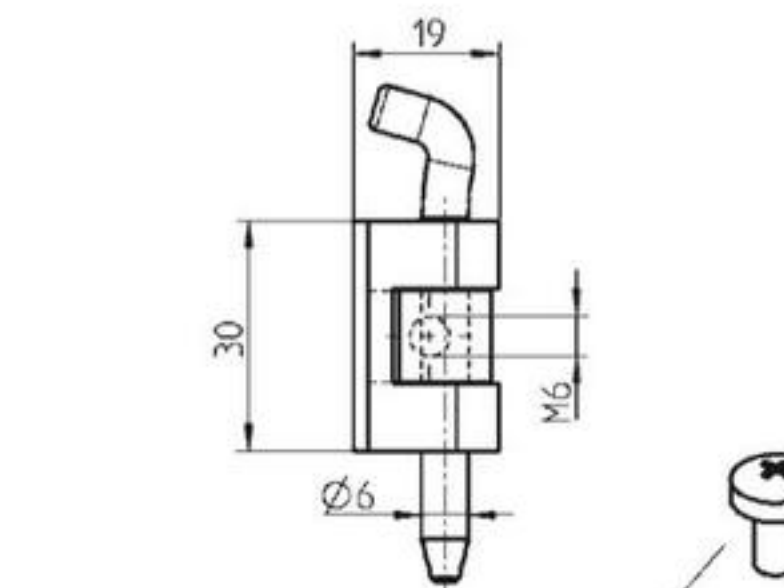
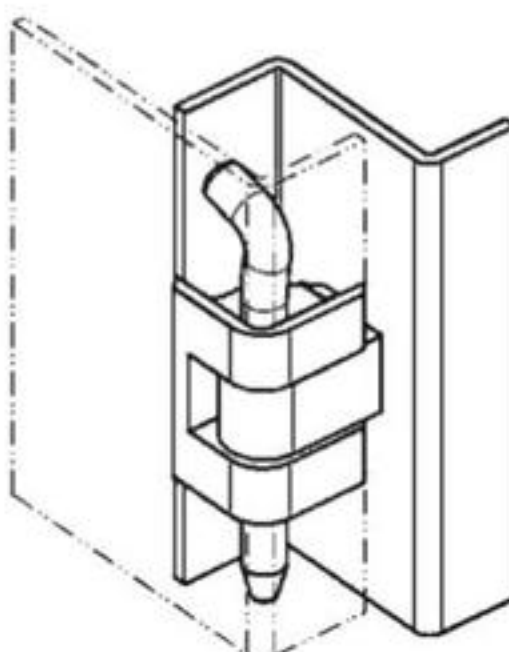
www.faparkes.co.uk
your one stop shop!



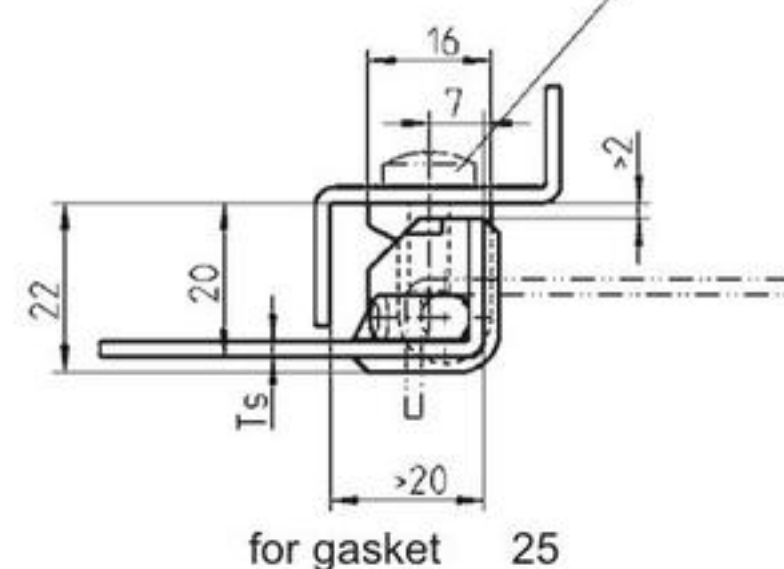
180° hinge for single cabinets
for 20 mm door return



Cut out



* Oval head screw DIN ISO 7045



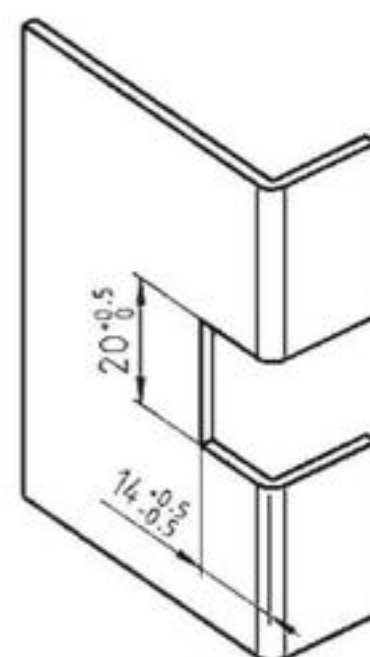
for gasket 25

180° hinge zinc die and pin m.s. zinc pl. or AISI 316 and pin 303

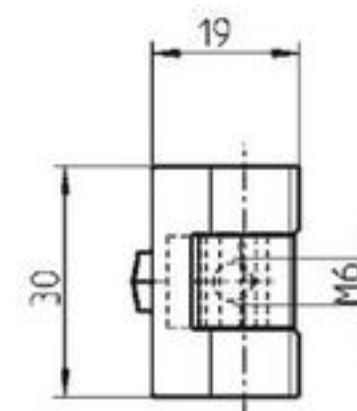
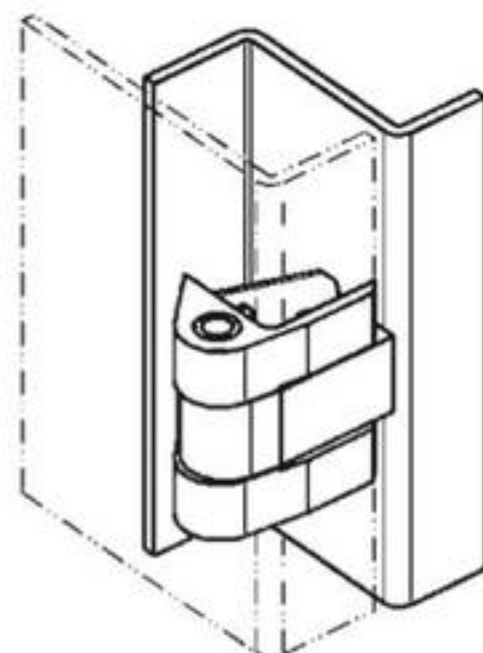
	Ts = 0,8 – 1,0	1,5 – 2,0
zinc die chrome plated	–	1110-U2
zinc die black powder coated	–	1110-U3
AISI 316	1110-U51	1110-U50



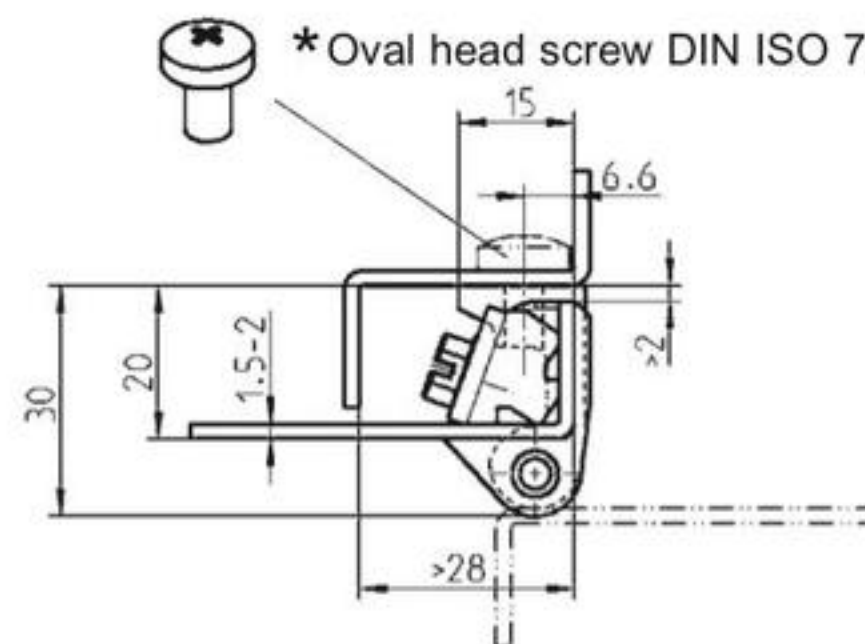
180° hinge for in-line cabinets with adjacent door
for 20 mm door return



Cut out



* Oval head screw DIN ISO 7045 M6x...



180° hinge zinc die or AISI 316, with fixing material m.s. zinc pl. or AISI 303

chrome plated	1110-U4-N
black powder coated	1110-U5-N
AISI 316	1110-U5-NPH

F.A. Parkes (M.B.F) Limited
Unit 4, Acorn Court
Butts Street, Leigh
Lancashire WN7 3AE

Tel. 01942 681 996
sales@faparkes.co.uk