

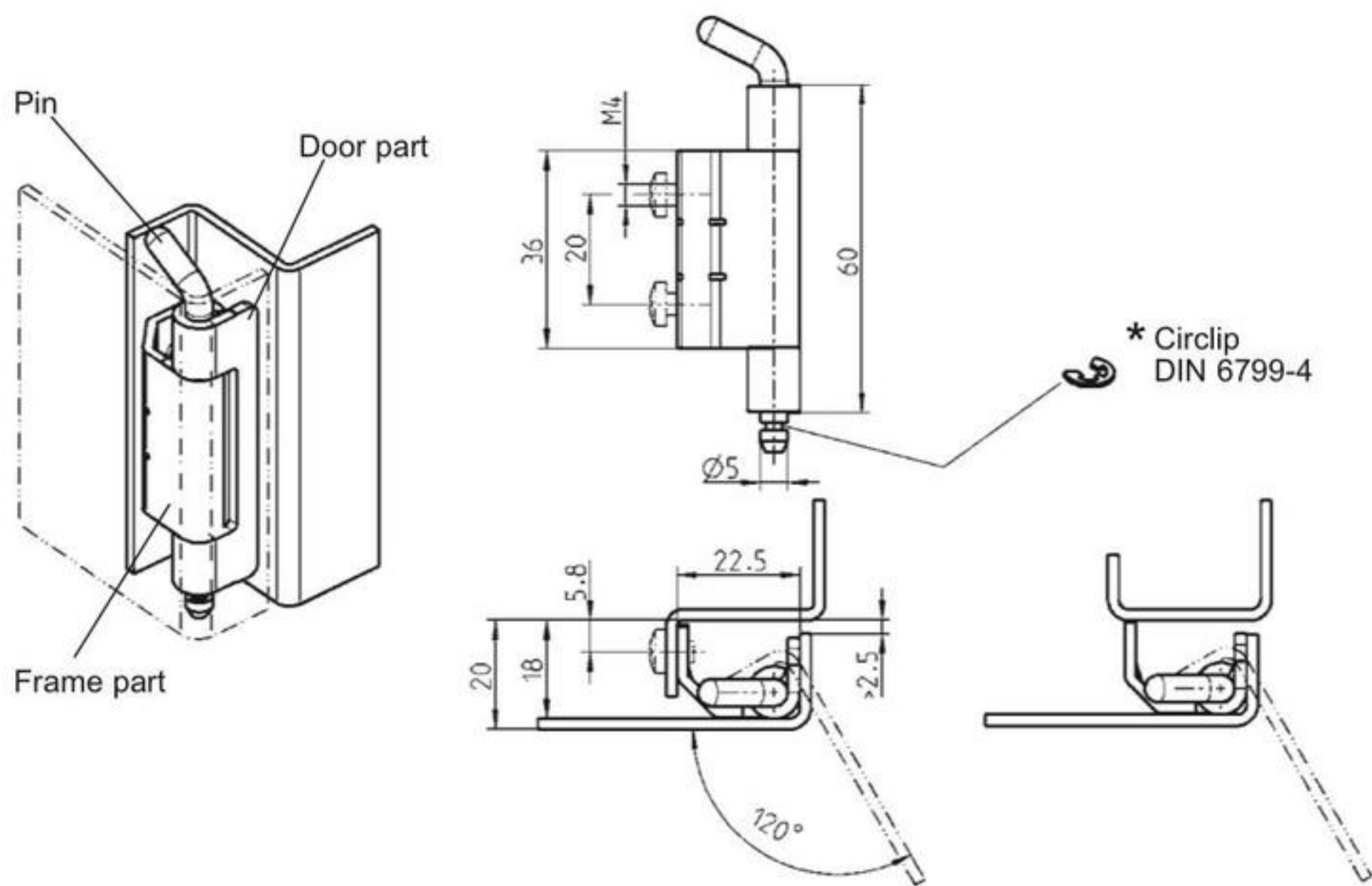


Buy on-line
at the FA Parkes
sales portal
the quickest
and most efficient
way to purchase
all your hardware
requirements; locks
handles, hinges
stays, gasketing
etc....

www.faparkes.co.uk
your one stop shop!



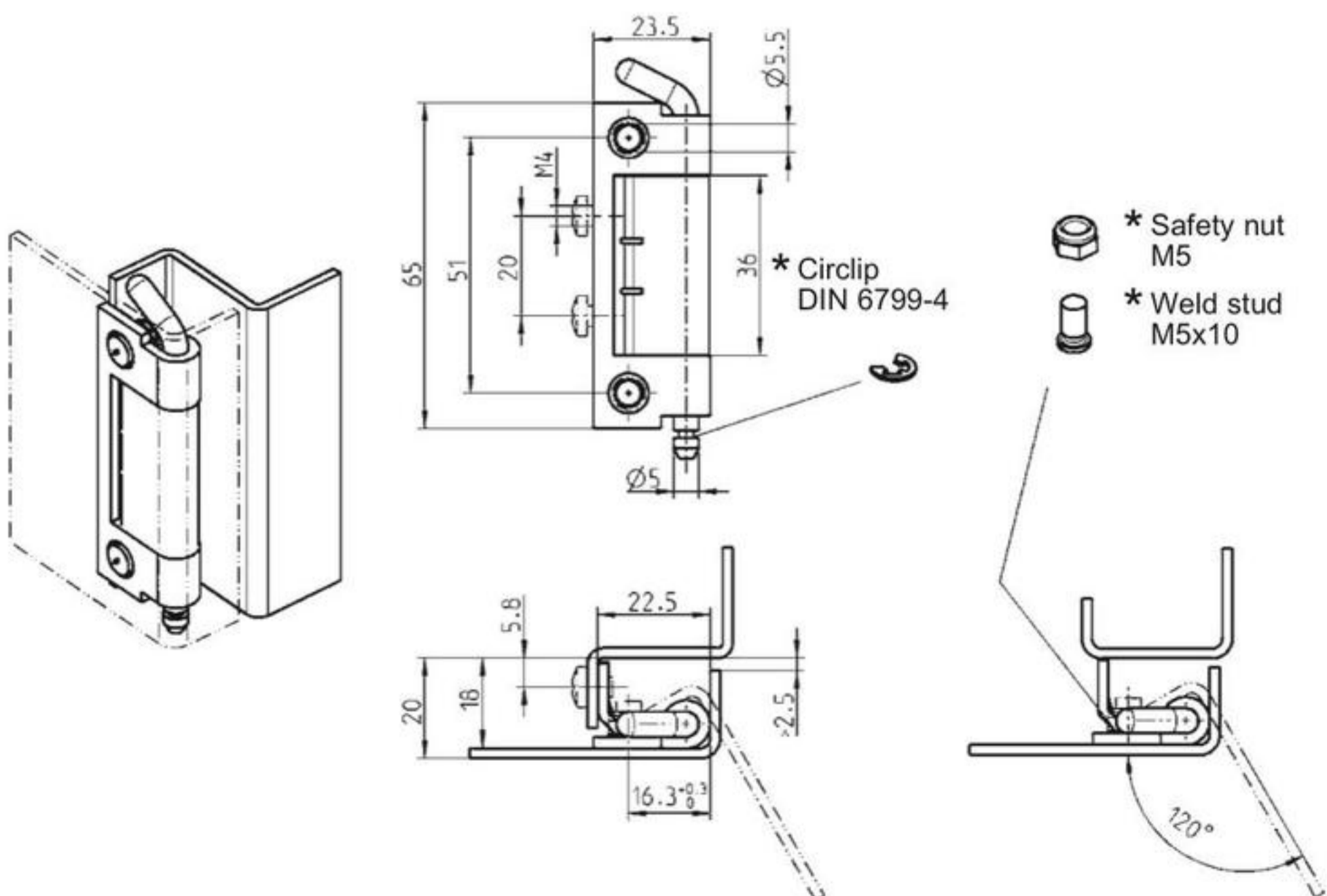
120° hinge
for 20 mm door return



Hinge m.s. zinc pl. or stainl. steel, weld-on part m.s. raw or AISI 304

screw-on m.s.	1069-U1	weld-on m.s.	1069-U2
screw-on AISI 304	1069-U4	weld-on AISI 304	1069-U3

120° hinge for weld stud fastening
for 20 mm door return



Hinge, m.s. zinc pl., screw-on

1069-U6

Hinge, m.s. zinc pl., weld-on

weld-on part m.s. raw

1069-U5

F.A. Parkes (M.B.F) Limited
Unit 4, Acorn Court
Butts Street, Leigh
Lancashire WN7 3AE

Tel. 01942 681 996
sales@faparkes.co.uk