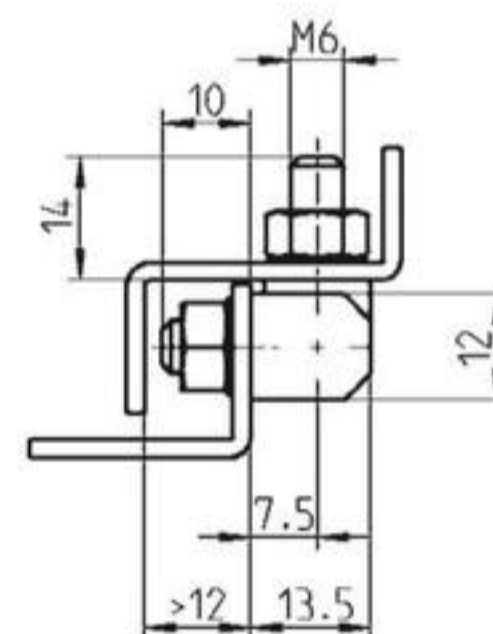
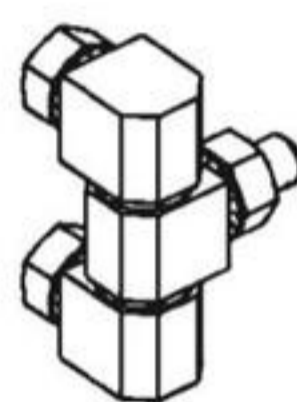
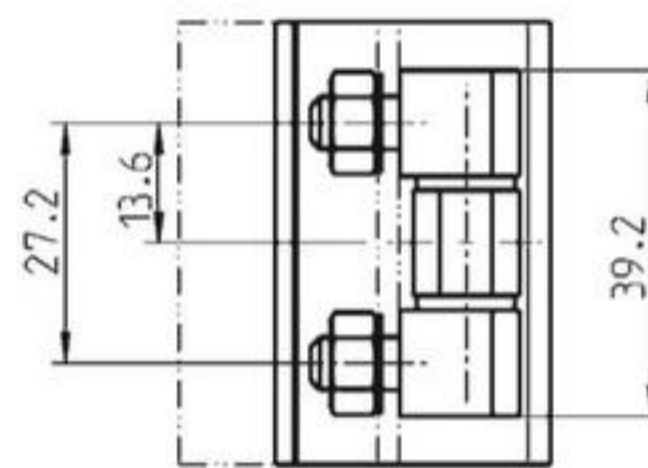
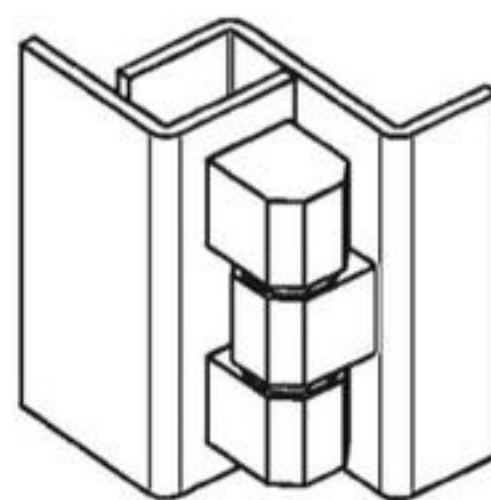




Buy on-line
at the FA Parkes
sales portal
the quickest
and most efficient
way to purchase
all your hardware
requirements; locks
handles, hinges
stays, gasketing
etc....

www.faparkes.co.uk
your one stop shop!



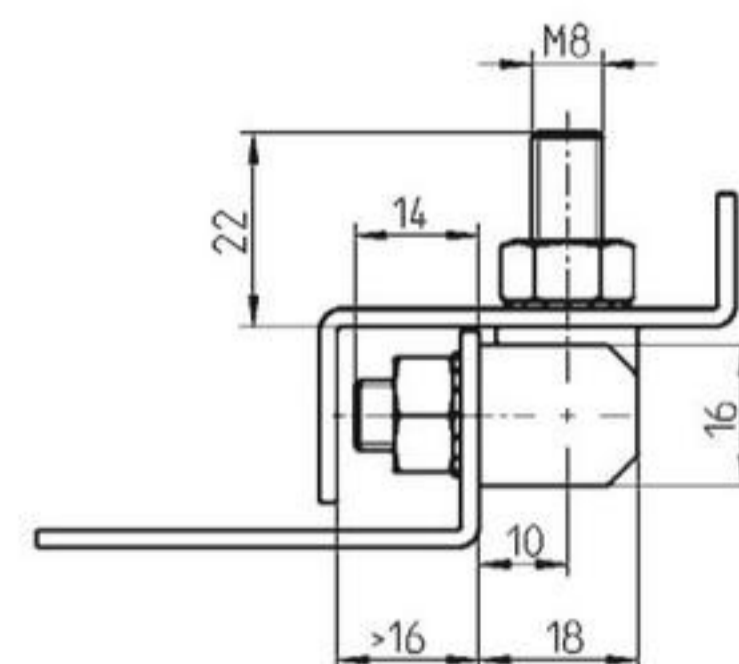
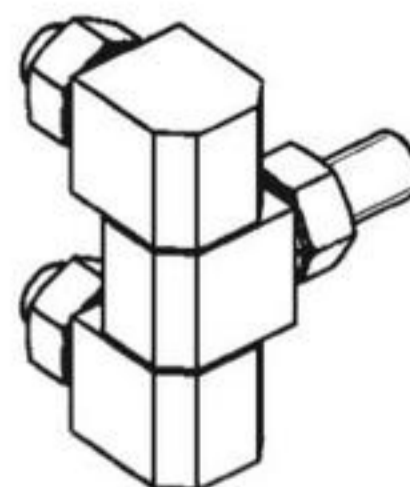
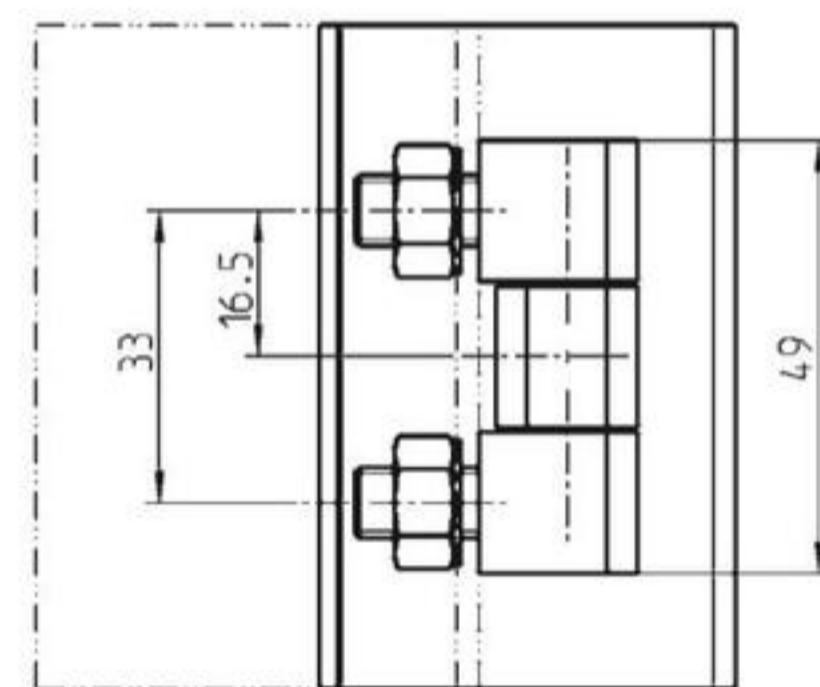
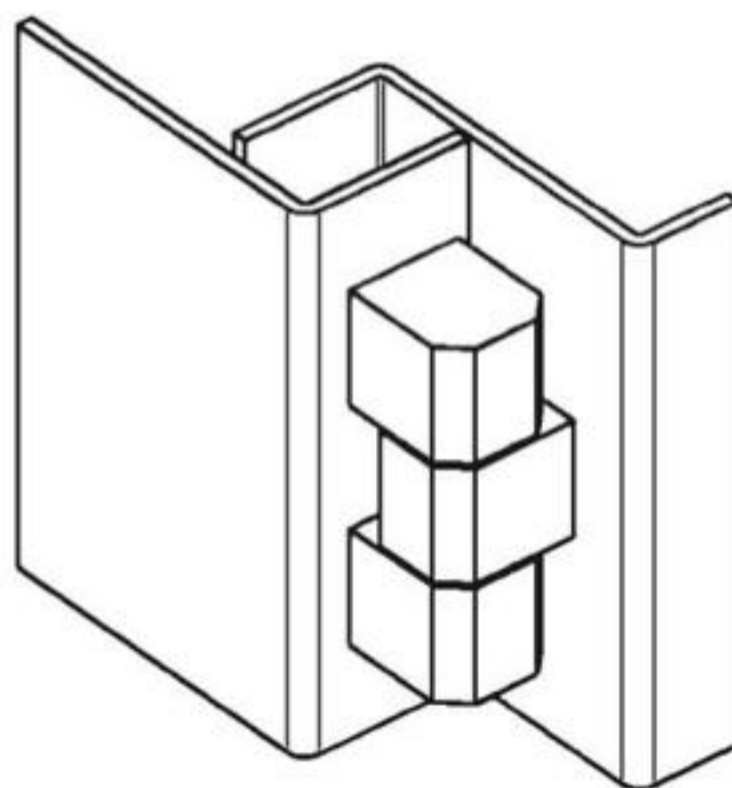
Screw-on hinge

AISI 303

1055-U6

AISI 316

1055-U8



Screw-on hinge

AISI 303

1039-U19

AISI 316

1039-U26

F.A. Parkes (M.B.F) Limited
Unit 4, Acorn Court
Butts Street, Leigh
Lancashire WN7 3AE

Tel. 01942 681 996
sales@faparkes.co.uk