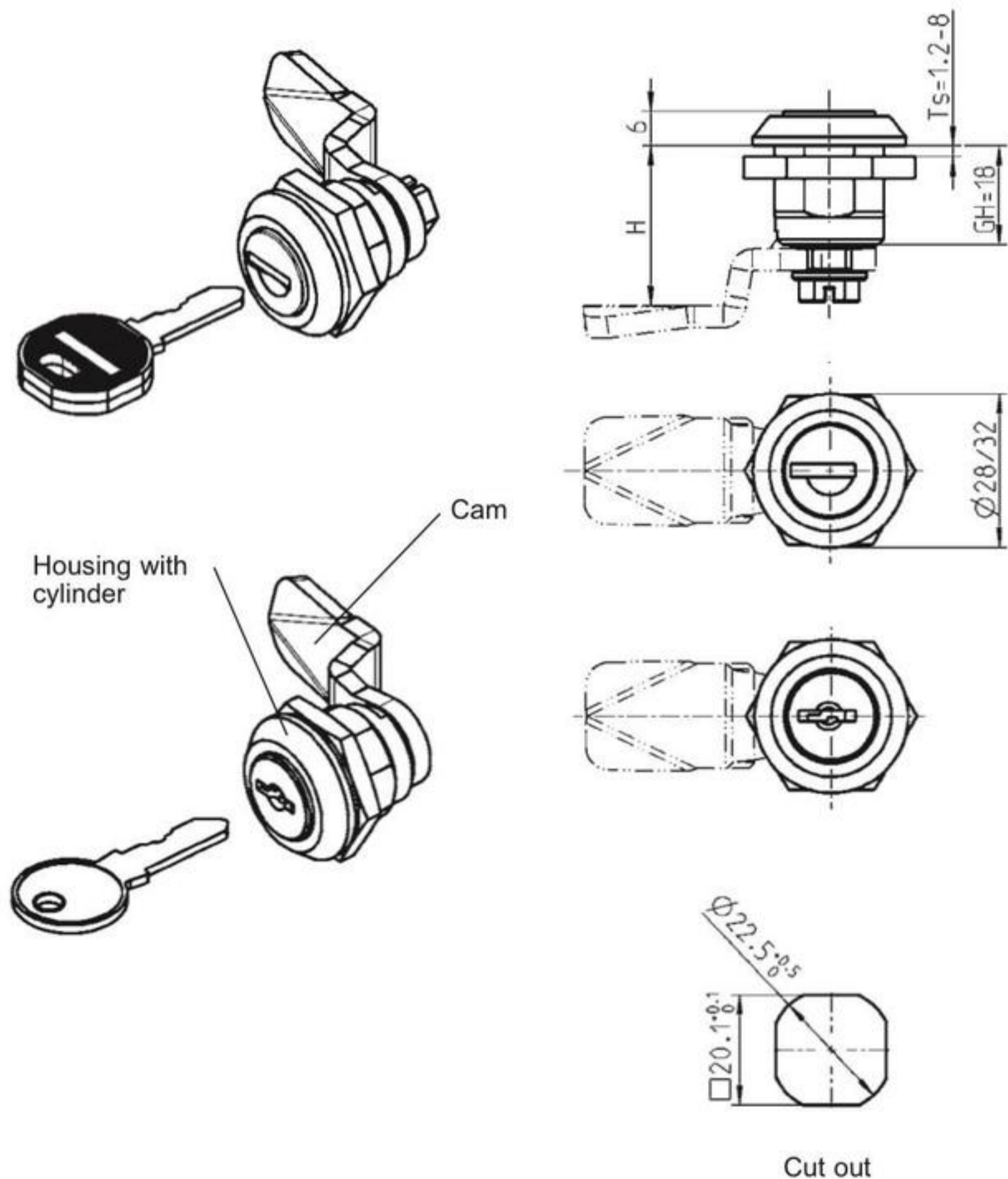




Buy on-line  
at the FA Parkes  
sales portal  
the quickest  
and most efficient  
way to purchase  
all your hardware  
requirements; locks  
handles, hinges  
stays, gasketing  
etc....

[www.faparkes.co.uk](http://www.faparkes.co.uk)  
your one stop shop!



Quarter turn with cylinder, housing zinc die with cylinder zinc die, stainless steel cap and shutter. Each cylinder has one silver steel key with polyamide GF grip black. Screw and nut m.s. zinc plated. Key removable in both position

Locking system	Nut chrome plated	Earthnut	Nut black powder coated	Earthnut
D = 28 mm				
keyed EK 333	1048-U6	1048-U8	1048-U14	1048-U16
keyed different	1048-U7	1048-U9	1048-U15	1048-U17
D = 32 mm				
keyed EK 333	1048-U1	1048-U3	1048-U10	1048-U12
keyed different	1048-U2	1048-U4	1048-U11	1048-U13

Quarter turn with cylinder, housing with cylinder polyamide GF black. Each cylinder has one m.s. nickel plated key. Screw m.s. zinc plated, nut m.s. zinc plated or polyamide black. Key removable in both positions

Locking system	Nut Nut zinc die c.p.	Earthnut	Nut Nut polyamide black	Earthnut
D = 28 mm				
keyed EK 333	1048-U18	-	1048-U27	-
keyed different	1048-U19	-	1048-U28	-
D = 32 mm				
keyed EK 333	1048-U20	-	1048-U25	-
keyed different	1048-U21	-	1048-U26	-

F.A. Parkes (M.B.F) Limited  
Unit 4, Acorn Court  
Butts Street, Leigh  
Lancashire WN7 3AE

Tel. 01942 681 996  
[sales@faparkes.co.uk](mailto:sales@faparkes.co.uk)