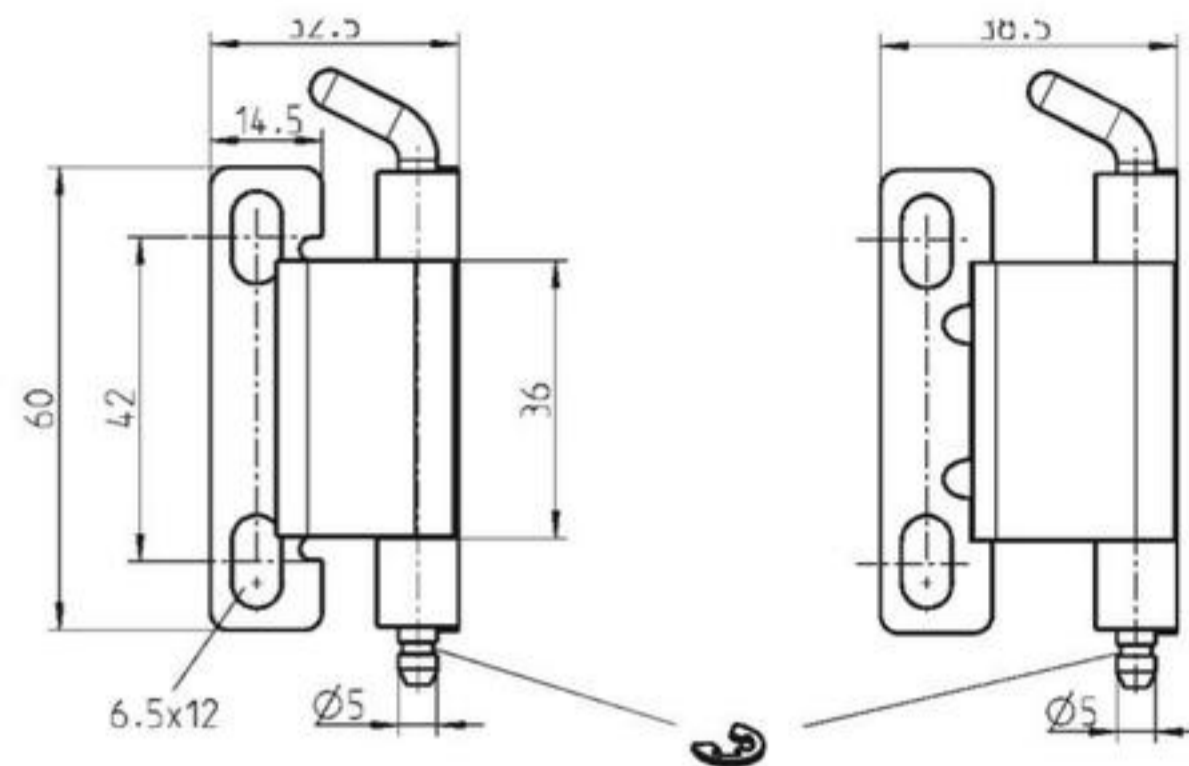
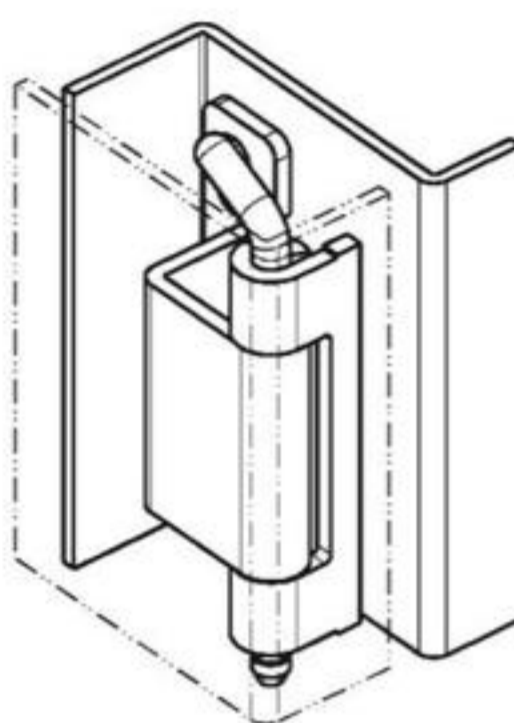
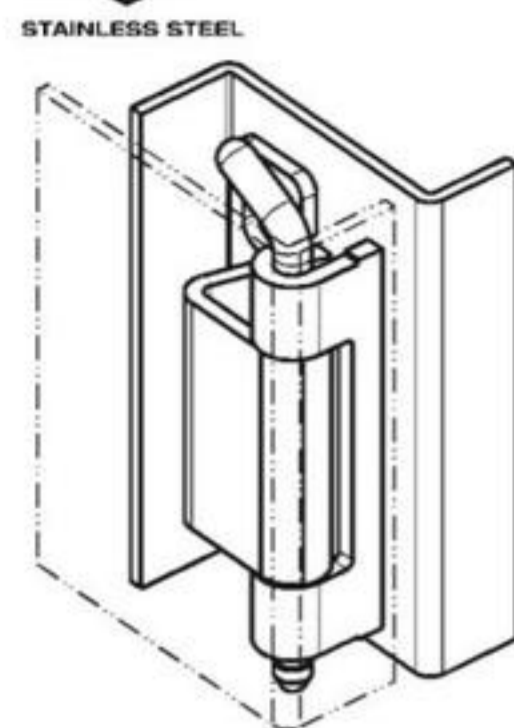




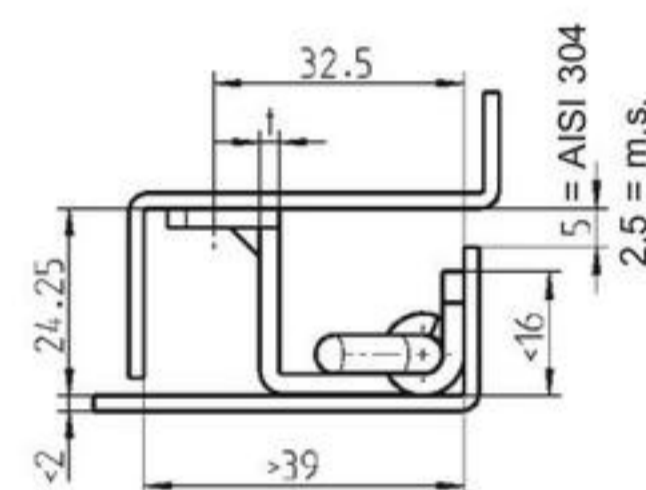
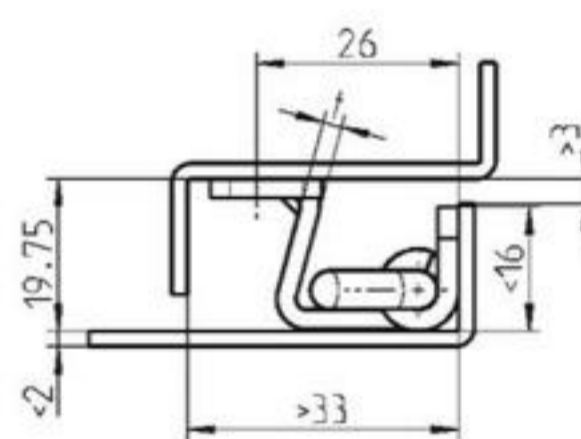
Buy on-line  
at the FA Parkes  
sales portal  
the quickest  
and most efficient  
way to purchase  
all your hardware  
requirements; locks  
handles, hinges  
stays, gasketing  
etc....  
[www.faparkes.co.uk](http://www.faparkes.co.uk)  
your one stop shop!

120° hinge



m.s. t = 2,50  
Stainl.st. t = 2,25

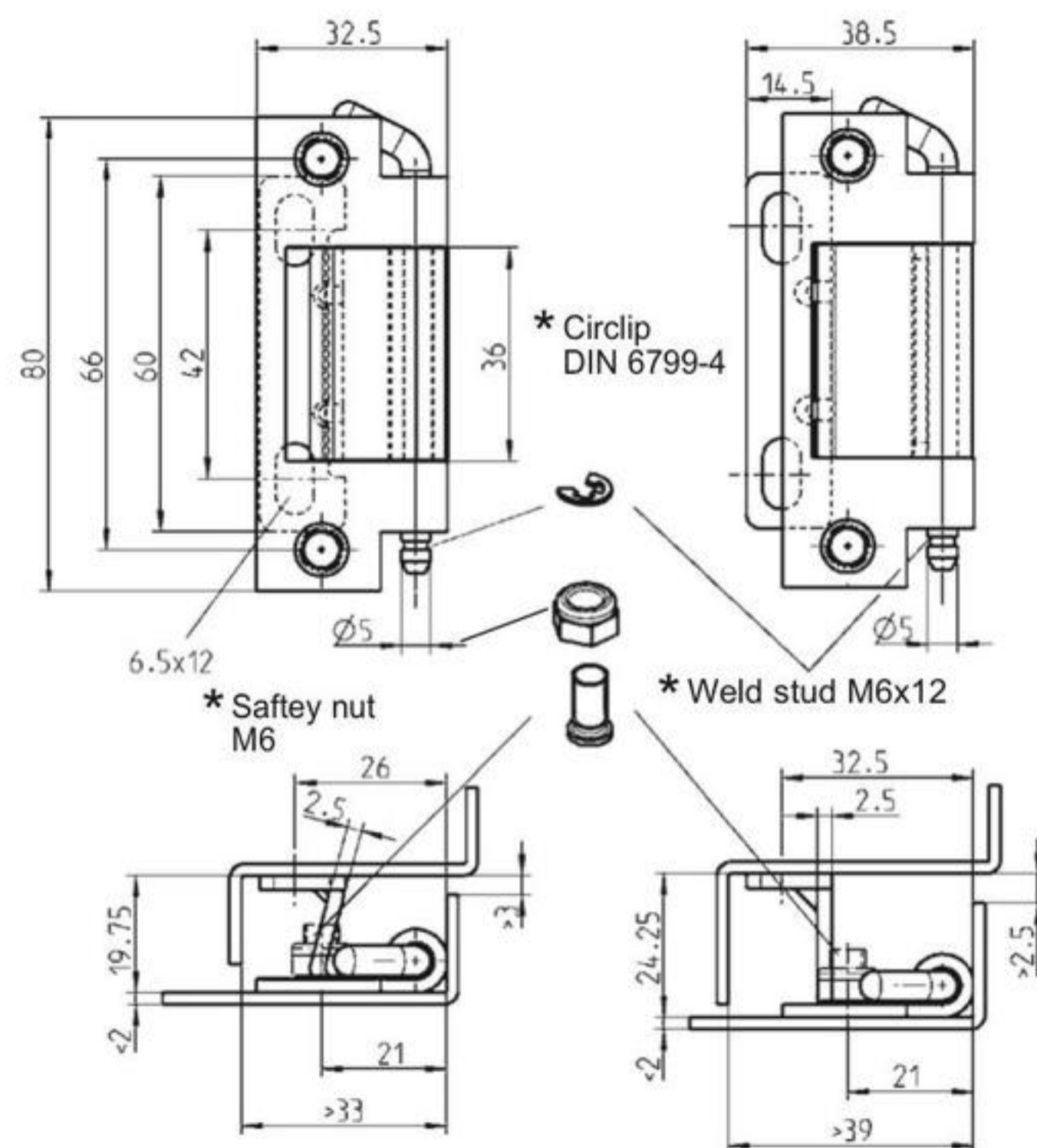
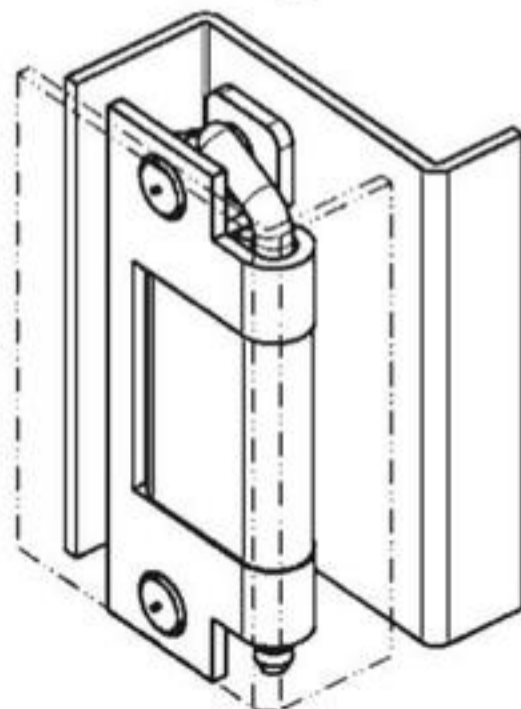
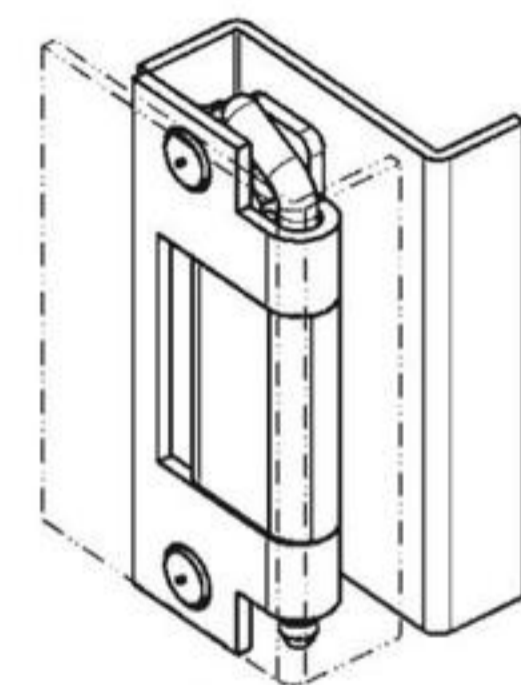
\* Circlip  
DIN 6799-4



120° hinge m.s. zinc pl. or stainl. steel, weld-on part m.s. raw or AISI 304

m.s. (Dim. 19,75)	1032-U1	m.s. (Dim. 24,25)	1031-U1
AISI (Dim. 19,75)	1032-U2	AISI (Dim. 24,25)	1031-U2

120° hinge for weld stud fastening



\* Circlip  
DIN 6799-4

\* Safety nut  
M6

\* Weld stud M6x12

Hinge m.s. zinc pl.

(Dim. 19,75)	1032-U5	(Dim. 24,25)	1031-U10
--------------	---------	--------------	----------

F.A. Parkes (M.B.F) Limited  
Unit 4, Acorn Court  
Butts Street, Leigh  
Lancashire WN7 3AE

Tel. 01942 681 996  
[sales@faparkes.co.uk](mailto:sales@faparkes.co.uk)