

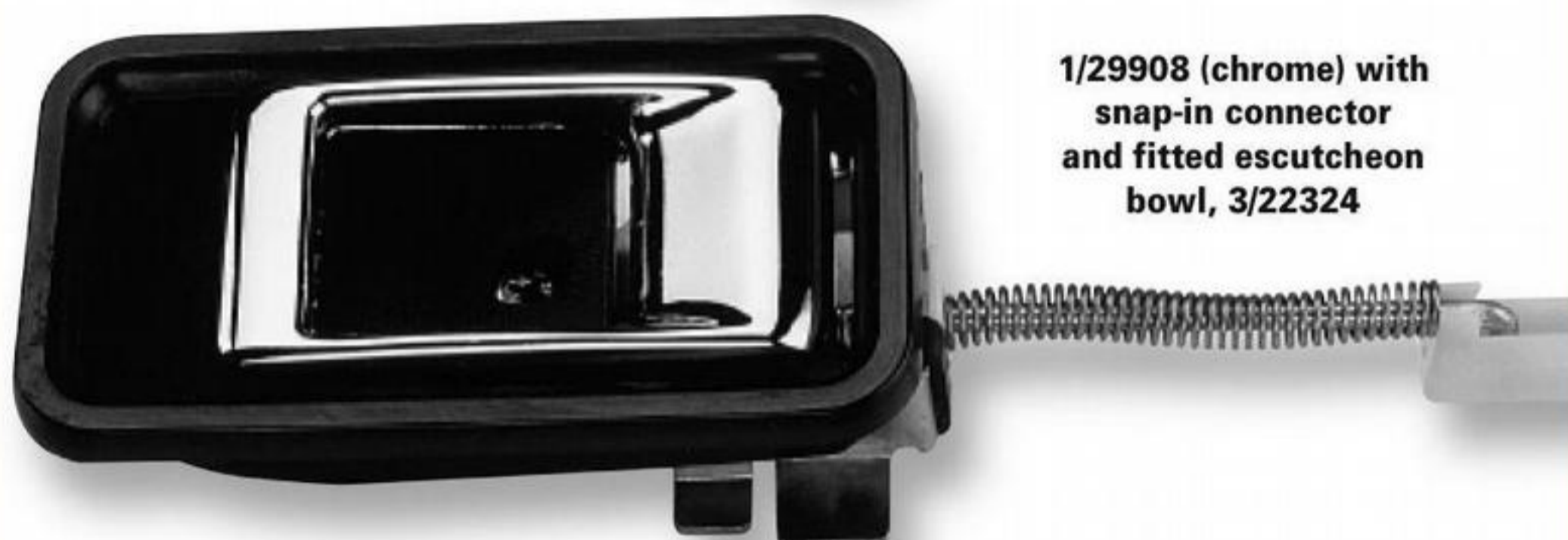


Buy on-line  
at the FA Parkes  
sales portal  
the quickest  
and most efficient  
way to purchase  
all your hardware  
requirements; locks  
handles, hinges  
stays, gasketing  
etc....

[www.faparkes.co.uk](http://www.faparkes.co.uk)  
your one stop shop!



9/00708B (black) with  
threaded connector



1/29908 (chrome) with  
snap-in connector  
and fitted escutcheon  
bowl, 3/22324

### ORDERING CODE

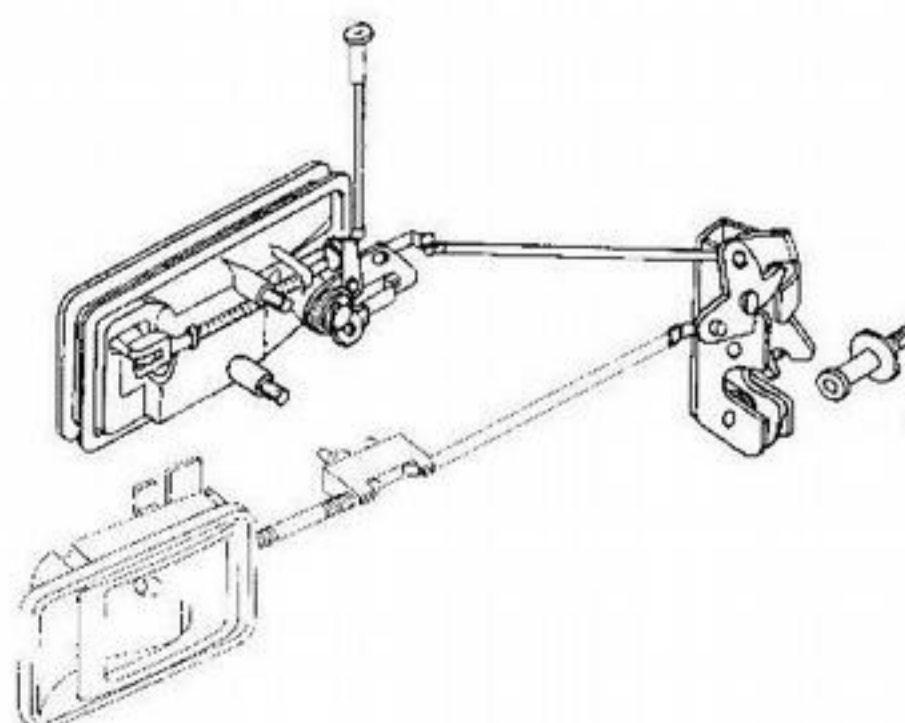
<b>1/29908</b>	'Buckle' release, chrome, (snap-in)
<b>1/29908B</b>	As above, black
<b>9/00708</b>	'Buckle' release, chrome (threaded)
<b>9/00708B</b>	As above, black
<b>3/22324</b>	Moulded escutcheon bowl, black
<b>9/00078</b>	Connector rod, 3.5 mm x 1 metre
<b>7/26668</b>	Sill-button, black

### Special Models

Threaded connectors can be provided to alternative threads/lengths and with other features to facilitate attachment.

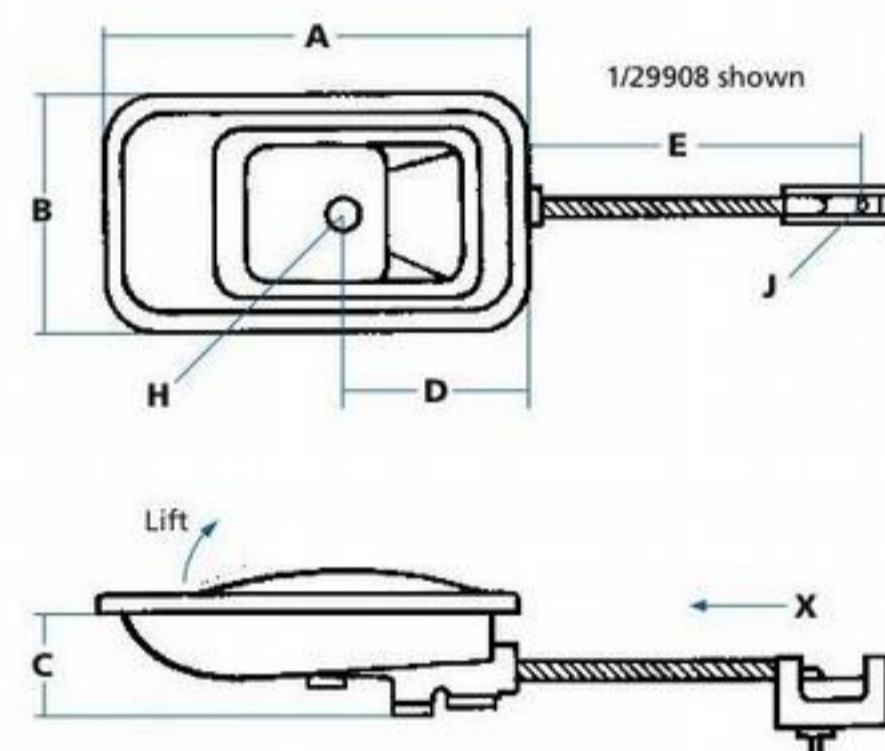
### Installation of 'buckle' release

Illustration shows inside handle with simple connection to latch.



This is an installation using our outside 'flap' handle, 1/25653, with 'freewheeling' action. See section B.

### SPECIFICATION



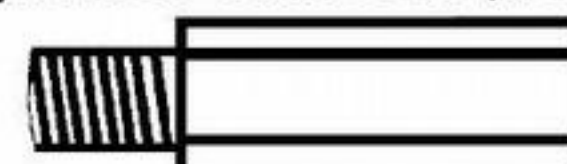
<b>A</b>	Bowl total length	102 mm
<b>B</b>	Bowl width	55 mm
<b>C</b>	Depth to base	23 mm
<b>D</b>	Location	45 mm
<b>E</b>	Location to 'J'	75 mm
<b>H</b>	Hole size (dia)	5 mm
<b>J</b>	Hole size (dia)	3.5 mm
<b>X</b>	Travel of latch release	15 mm

A rubber buffer on the frame acts as a stop, 'cushioning' action and preventing rattle.

### Adjustable connector (9/00708, etc)

Hexagonal brass connector, length 40 mm, threaded 10/24 UNC (RH thread) allows 5 mm of adjustment.

### Adjustable connector (9/00708)



F.A. Parkes (M.B.F) Limited  
Unit 4, Acorn Court  
Butts Street, Leigh  
Lancashire WN7 3AE

Tel. 01942 681 996  
[sales@faparkes.co.uk](mailto:sales@faparkes.co.uk)